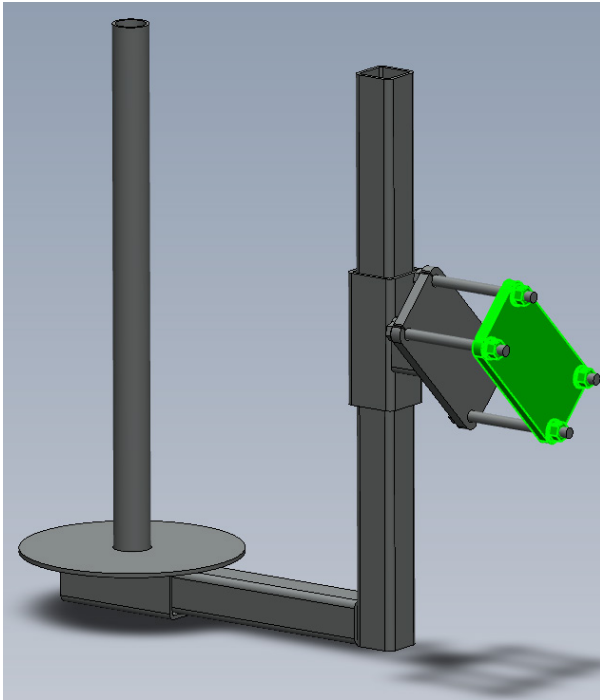


Wire Roller Installation

for Silt Fence Installer

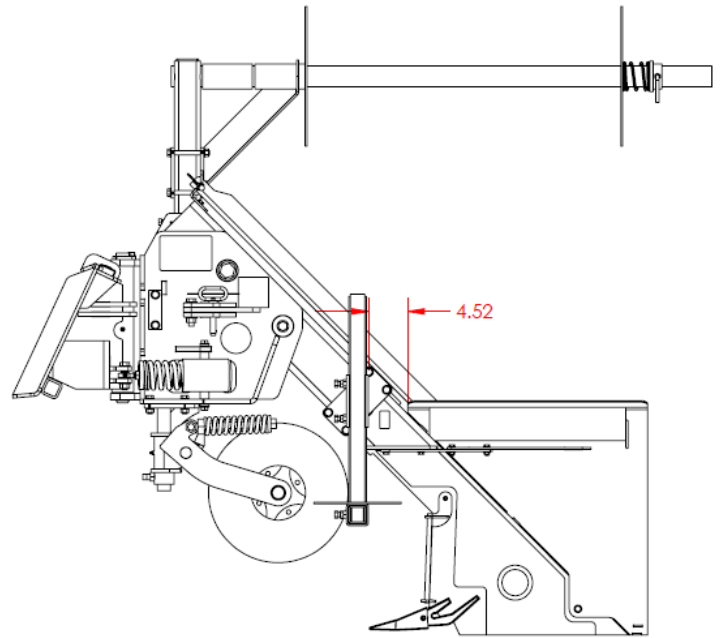
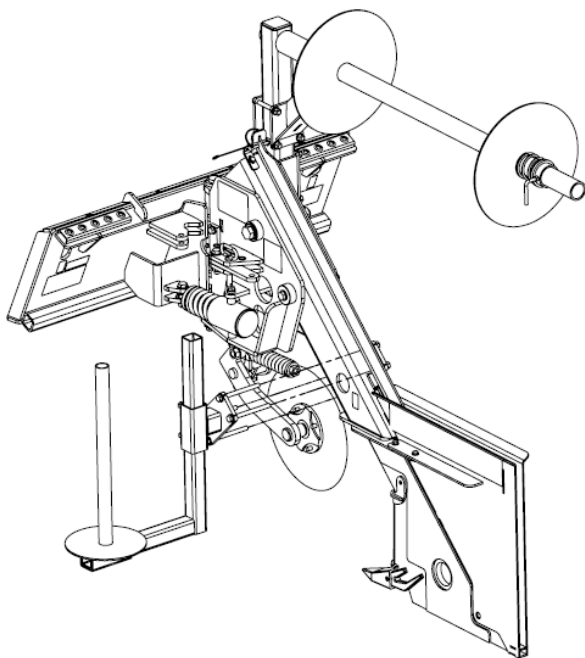


1. On the wire unroller, remove the four (4) nuts, four (4) washers, and the back retaining plate of the mounting bracket.



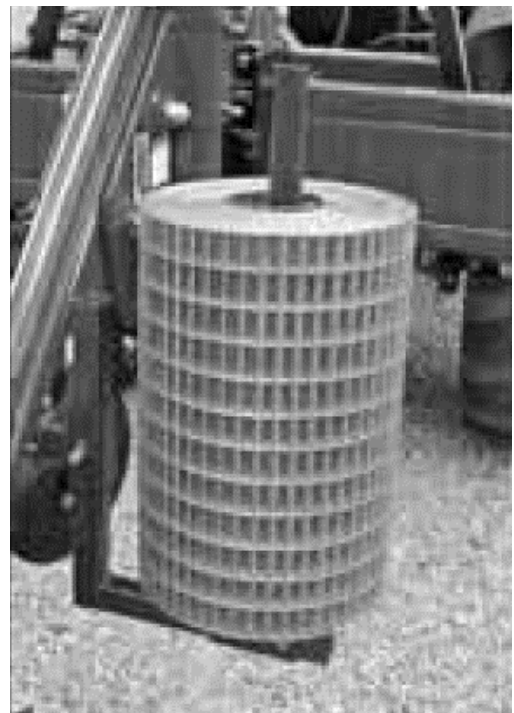
2. Slide the mounting bracket over the main boom of the silt fence installer, approximately 4.5" behind the rear of the side panels.

NOTE: The wire unroller can be mounted on either side.



3. Place the backing plate onto the four (4) bolts, and reattach the four (4) washers and nuts.
4. The wire unroller is now ready to be used. Place the roll of wire on the rod, and feed the start of the wire roll along the outside of the side panels.

NOTE: DO NOT put the wire inside the panels with the silt fence.



Revision Date: 08.20.2024