



SKID STEER

SILT FENCE INSTALLER

OPERATOR & PARTS MANUAL

TABLE OF CONTENTS

SAFETY	
GENERAL SAFETY PRECAUTIONS.....	4-7
SAFETY DECAL PLACEMENT.....	8-9
SAFETY DECALS.....	10-11
OPERATION	12-19
MAINTENANCE	20
PARTS	
MACHINE CONFIGURATIONS.....	21
TOP LINK CYLINDER –	22-23
SKID STEER HITCH ASSEMBLY –	24
SLIDING OFFSET ASSEMBLY.....	25-27
SFI FRAME ASSEMBLY –	28
CENTERING SPRING ASSEMBLY –	29
COULTER ASSEMBLY-	30-32
SFI ROLL HOLDER ASSEMBLY –	33
SFI BLADE ASSEMBLY –	34
WARRANTY	
LIMITED WARRANTY.....	35
WARRANTY REGISTRATION CARD	36

SAFETY

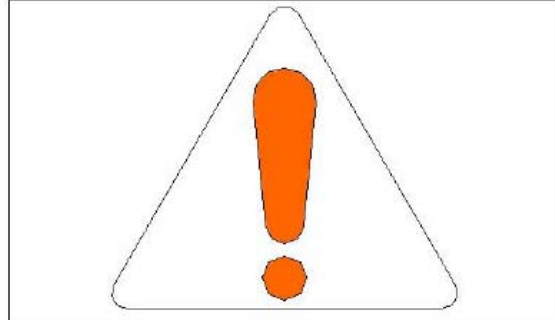
RECOGNIZE SAFETY INFORMATION

This is the safety alert symbol. When you see this symbol on your machine or in this manual, be alert for the potential of personal injury.

Follow the precautions and safe operating practices highlighted by this symbol.

A signal word - DANGER, WARNING, or CAUTION - is used with the safety alert symbol. DANGER identifies the most serious hazards.

On your machine, DANGER signs are red in color, WARNING signs are orange, and CAUTION signs are yellow. DANGER and WARNING signs are located near specific hazards. General precautions are on CAUTION labels.



Follow Safety Instructions

Read the safety messages in this manual and on the machine. Follow these warnings and instructions carefully. Review them frequently.

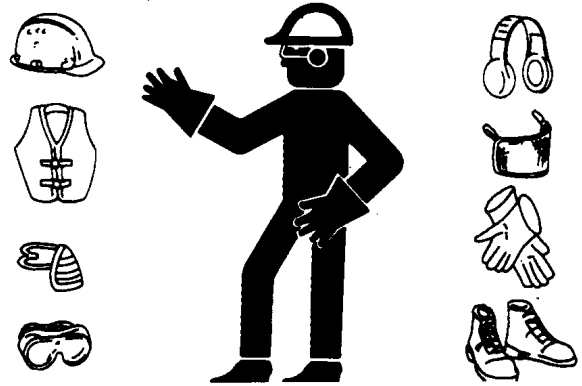
Be sure all operators of this machine understand every safety message. Replace operator's manual and safety labels immediately if missing or damaged.

Wear Protective Equipment

Guard against injury from flying pieces of debris; wear goggles or safety glasses.

Wear close fitting clothing and safety equipment appropriate to the job.

Prolonged exposure to loud noise can cause impairment or loss of hearing. Wear suitable hearing protection such as earmuffs or earplugs to protect against objectionable or uncomfortable loud noises.



Inspect Machine

Inspect machine carefully each day by walking around it before starting.

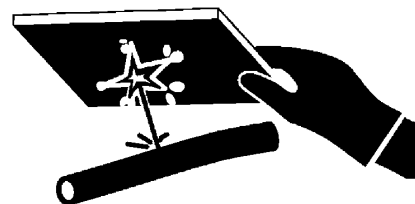
Keep all guards and shields in good condition and properly installed. Fix damage and replace worn or broken parts immediately. Pay special attention to hydraulic hoses and electrical wiring.



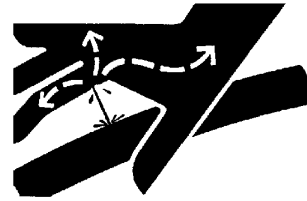
Avoid High-Pressure Fluids

This machine uses a high-pressure hydraulic system. Escaping fluid under pressure can penetrate the skin causing serious injury.

Never search for leaks with your hands. Protect hands. Use a piece of cardboard to find location of escaping fluid. Stop engine and relieve pressure before disconnecting lines or working on hydraulic system.



If hydraulic fluid penetrates your skin, see a doctor immediately. Injected fluid must be removed surgically within hours or gangrene may result. Contact a knowledgeable medical source or call 911.

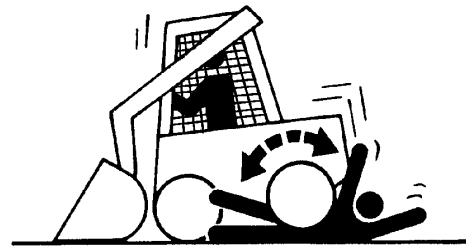


Avoid Backover Accidents

Before moving machine, be sure all persons or vehicles are clear of machine path. Turn around and look directly for best visibility. Keep windows clean.

Be certain reverse warning alarm is working properly (if equipped).

Use a signal person when backing if view is obstructed or when in close quarters. Keep signal person in view at all times. Use prearranged hand signals to communicate.



WARNING: Keep all people away from the machine while operating. Do not allow workers to walk near the installer while putting fabric in the ground.



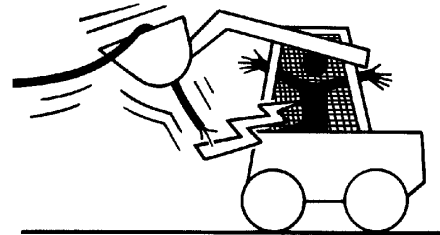
Avoid Work Site Hazards

Avoid contact with gas lines, buried cables and water lines. Call utility line location services to identify all underground utilities before starting work.

Prepare work site properly. Avoid operating near structures or objects that could fall onto the machine. Clear away debris that could move unexpectedly if run over.

Avoid boom or attachment contact with overhead obstacles or overhead electrical lines. Never move machine closer than 3 m (10 ft) plus twice the line insulator length to overhead wires.

Keep bystanders clear at all times. Use barricades or a signal person to keep vehicles and pedestrians away. Use a signal person if moving machine in congested areas or where visibility is restricted. Always keep signal person in view. Coordinate hand signals before starting machine.



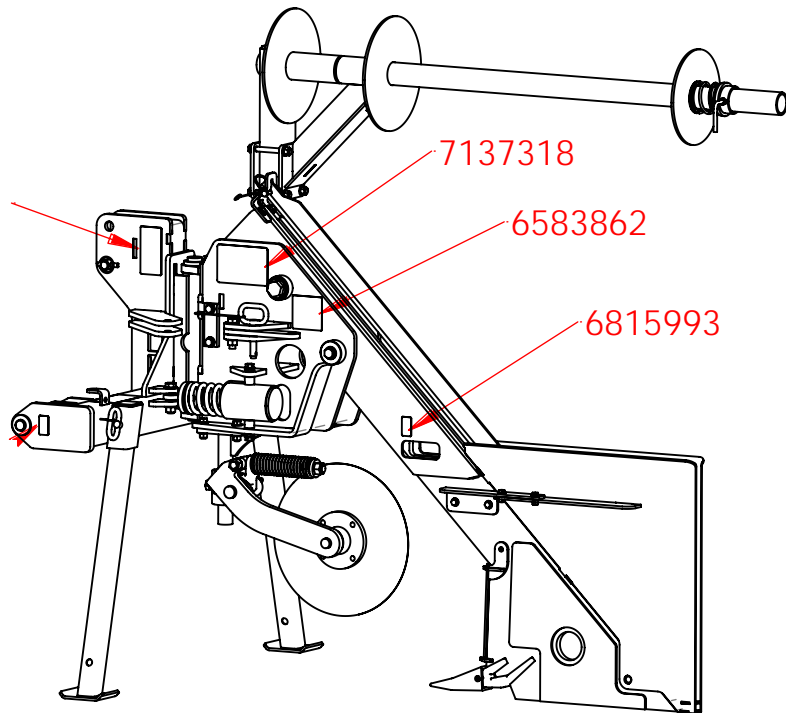
Operate only on solid footing with strength sufficient to support machine. Be especially alert working near embankments or excavations.

Avoid working under over-hanging embankments or stockpiles that could collapse under or on machine.

SAFETY DECAL PLACEMENT

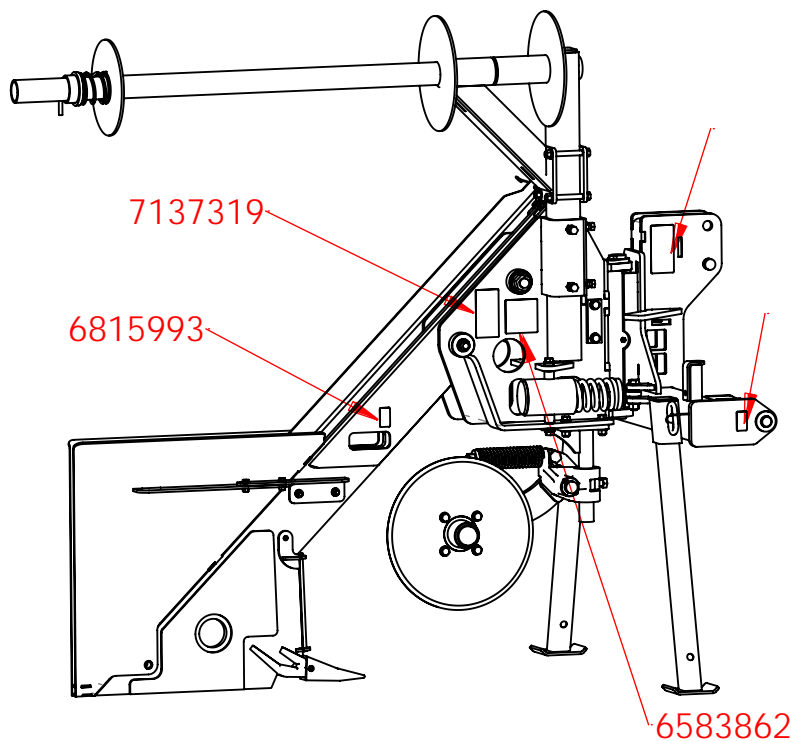
GENERAL INFORMATION

The diagrams on this page show the locations of the safety decals used on the Silt Fence Installer. The decals are identified by their part numbers, with images of the decals shown on the following pages. Use this information to order replacements for lost or damaged decals. Be sure to read all decals before operating the Silt Fence Installer. They contain information you need to know for both safety and longevity.

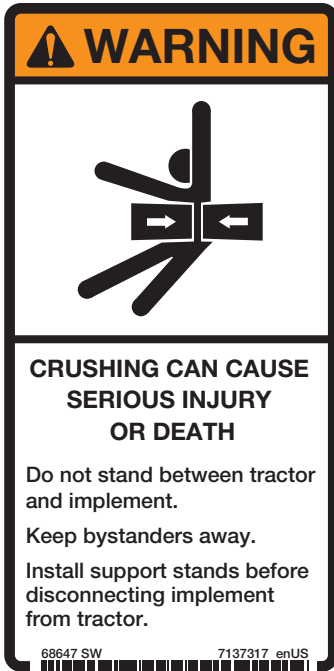


IMPORTANT: Keep all safety signs clean and legible. Replace all missing, illegible, or damaged safety signs. When replacing parts with safety signs attached, the safety signs must also be replaced.

REPLACING SAFETY SIGNS: Clean the area of application with nonflammable solvent, then wash the same area with soap and water. Allow the surface to fully dry. Remove the backing from the safety sign, exposing the adhesive surface. Apply safety sign to the position shown in the diagram above and smooth out any bubbles.

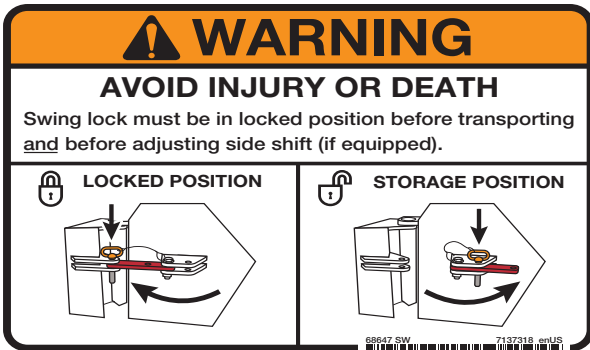


BE AWARE OF SAFETY SIGNS ON THE MACHINE



WARNING: Stay clear of tractor or loader when attaching to installer. Do not stand between installer and loader or tractor. Make sure the installer is securely mounted to the loader quick attach or tractor 3-point before engaging locking levers.

DECAL - WARNING, HITCH CRUSH
PART # 7137317



WARNING: Always lock installer in the straight position before transport. Move the latch to the storage position before use to prevent damage to the installer.

DECAL - WARNING, TRANSPORT LOCK
PART # 7137318

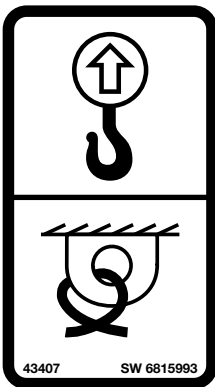


DANGER: Electricity or gas explosion can kill. Locate utilities before installing silt fence.

DECAL - WARNING, BURIED UTILITIES
PART # 7137319



DECAL - WARNING, STAY CLEAR
PART # 6583862



Use these areas on the machine to tie-down or lift the machine.

DECAL - TIE-DOWN / LIFT POINT
PART # 6815993

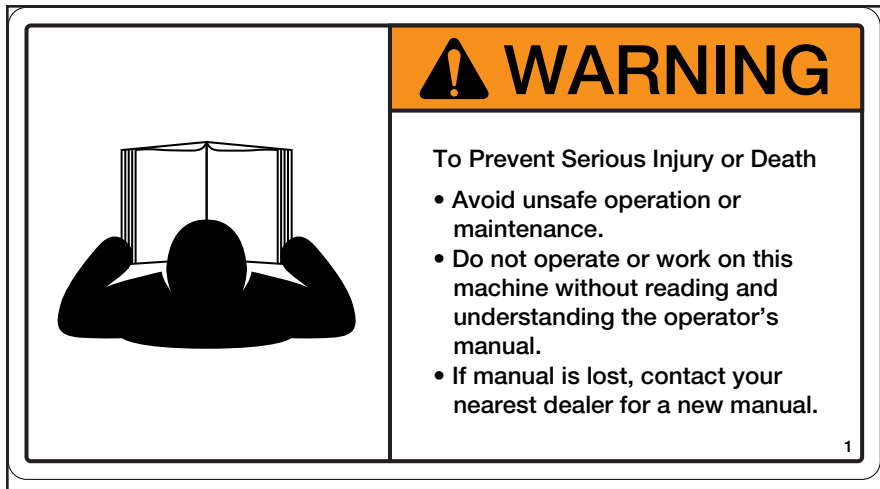


DECAL - WARNING, PINCH
POINT

PART #7105979



WARNING: Silt fence installers equipped with a sliding offset hitch can create a pinch point. Keep hands off of the sliding offset hitch while moving the installer from side to side.



DECAL - WARNING, READ OPERATOR MANUAL

PART # 11187



DECAL - WARNING, HYDRAULIC

PART # 11190

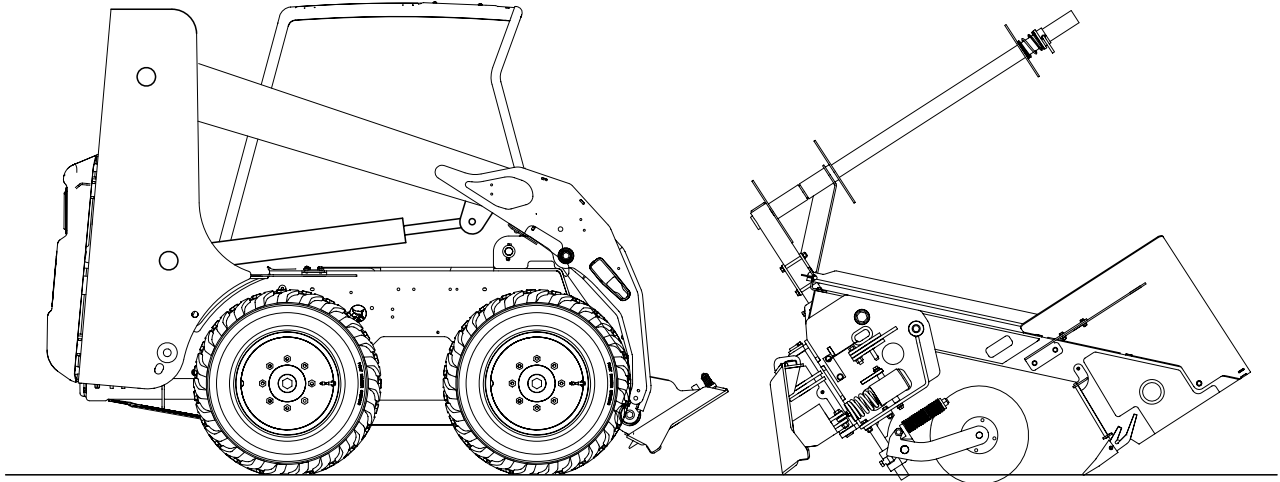
Only required on units equipped with a top link hydraulic cylinder.

OPERATION

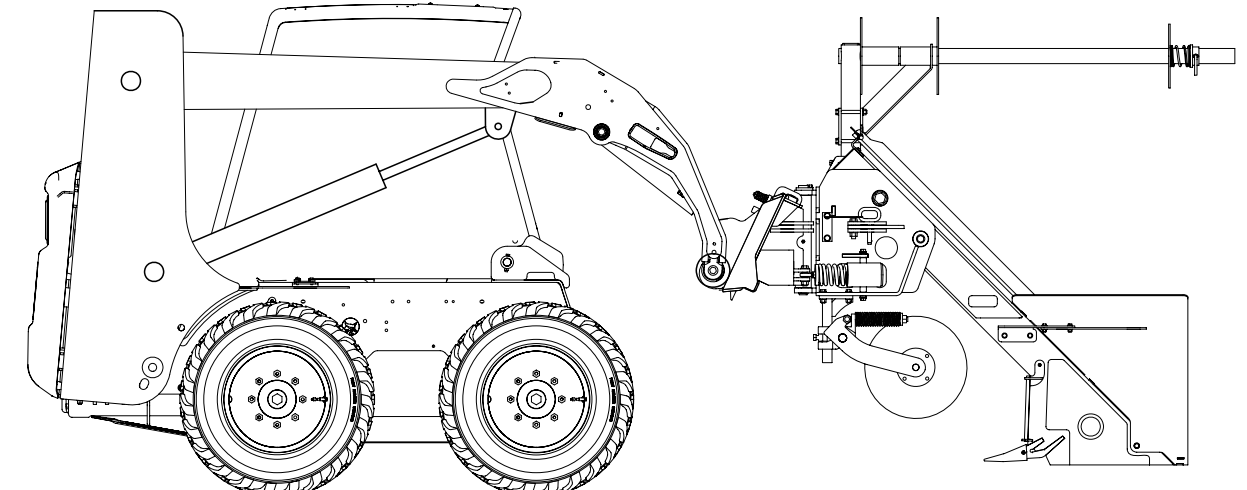
HOOKING UP TO THE SILT FENCE INSTALLER

Always read your loader or tractor operator manual before attaching the silt fence installer.

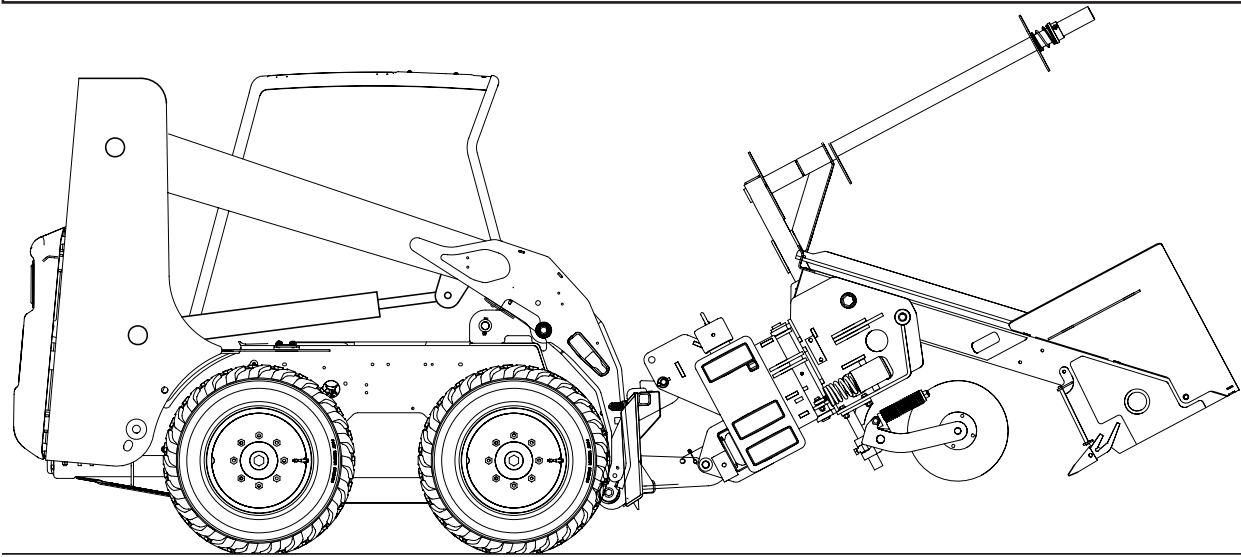
Installers equipped with a skid steer hitch or skid steer adapter are stored with the hitch on the ground. Lower the boom to it's lowest position and extend the bucket tilt cylinders to pick up the silt fence installer.



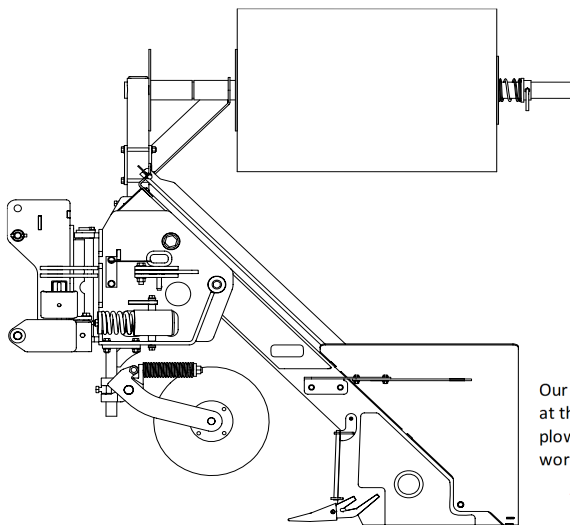
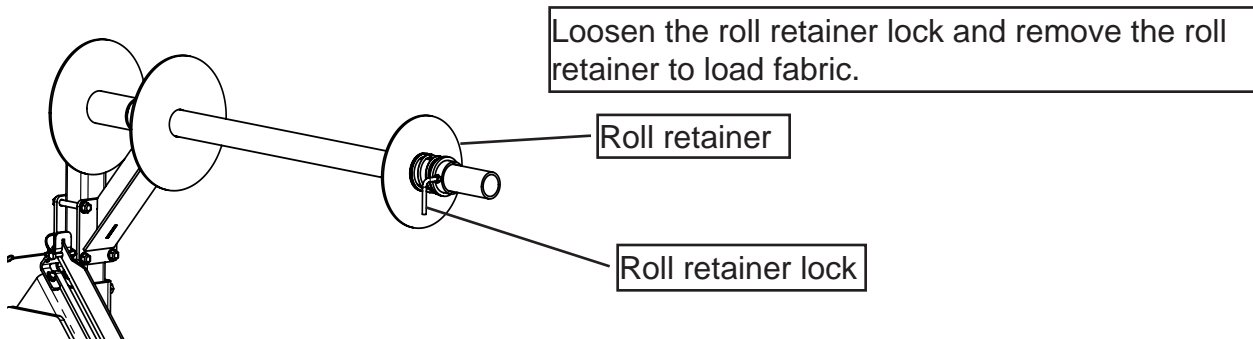
Raise the loader boom and make sure the silt fence installer is securely resting on the loader attachment plate. Follow the instructions in your loader operator manual to extend the attachment locking pins and lock the attachment in place.



Units equipped with a sliding offset hitch and skid steer adapter are also stored with the hitch on the ground. Always lower the silt fence installer to the ground when not in use. Never enter or exit the loader cab with the boom in the raised position.



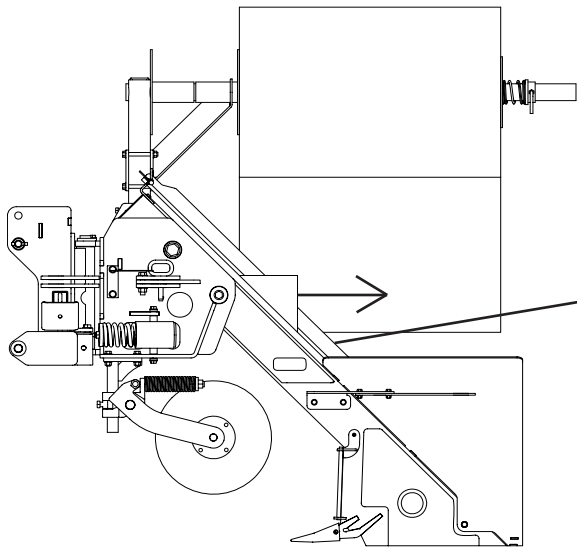
LOADING FABRIC



Load the fabric onto the roll mount tube. The roll can be loaded to unwind clockwise or counterclockwise. Replace the roll retainer. The spring on the roll retainer can be tensioned to prevent the roll from unwinding during windy conditions.

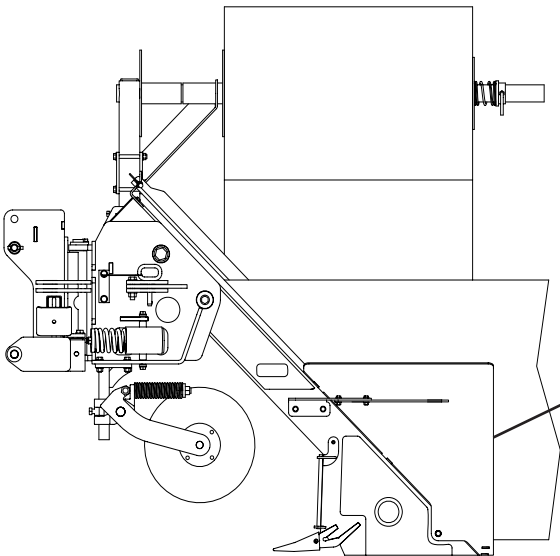
Our silt fence installer can't install wire back silt fence. It can however install silt fence and a roll of wire at the same time with the addition of a wire roll stand. (see attached) This will allow the end user to plow in the fabric and roll the wire out at ground level then attach them to the post as two pieces, but working as one piece.

175110 SILT FENCE OPTIONAL WIRE UNROLLER



Pull one corner of the fabric under the fabric transition rod and fold it toward the back of the installer.

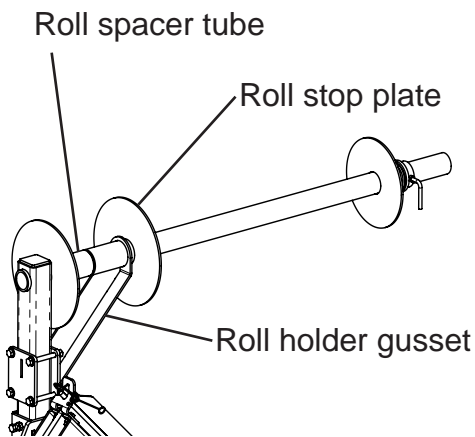
Fabric transition rod.



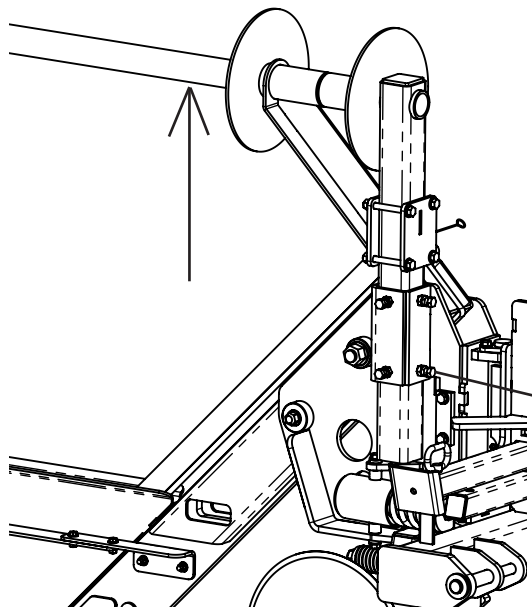
Continue to pull the fabric toward the rear of the machine until approximately 12" of fabric is exposed behind the rear of the chute.

Rear of chute.

The silt fence is now ready to be installed.



The silt fence installer can install 36 in., 42 in., and 48 in. wide fabric. The machine is configured to install 36 in. fabric as shown. To install 42" fabric, remove the roll holder gusset and replace the roll stop plate. To install 48" fabric, remove the roll stop plate, roll holder gusset and roll spacer tube. See the parts section for a detailed breakdown of the roll holder assembly.

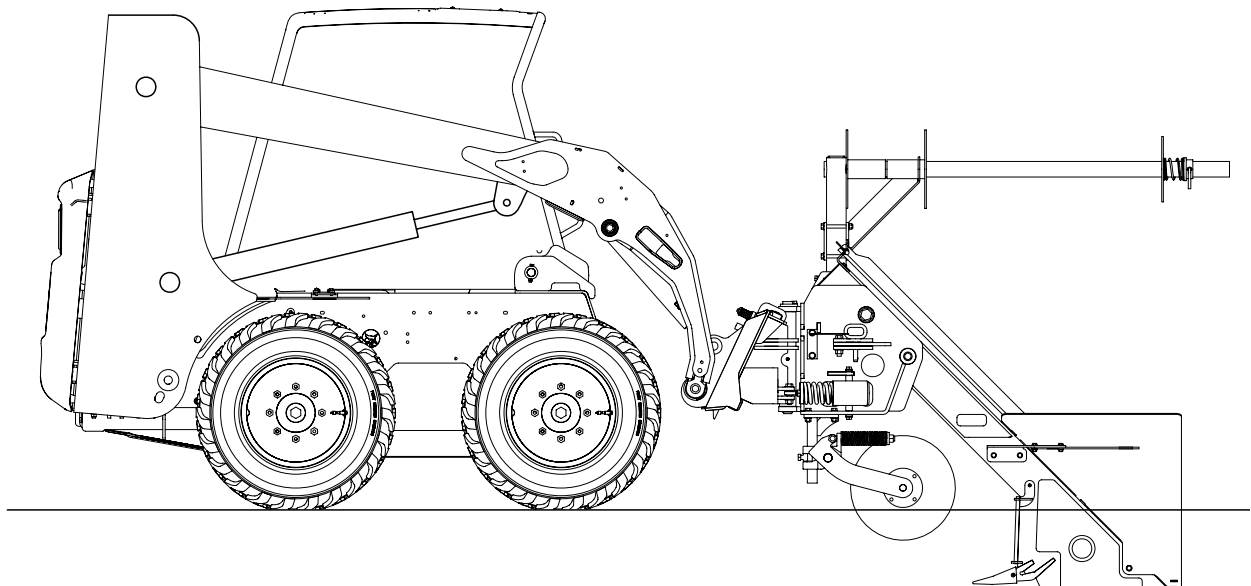


The roll holder can be raised to accommodate large diameter 42 in. or 48 in. rolls of material. Loosen the jam nuts and lock bolts to raise the roll holder. Tighten the lock bolts and jam nuts when the roll holder is at the desired position. The roll holder height should be kept low if possible. Material is easier to load on a low roll holder and the center of gravity of the machine will be lower.

Jam nuts and lock bolts (4)

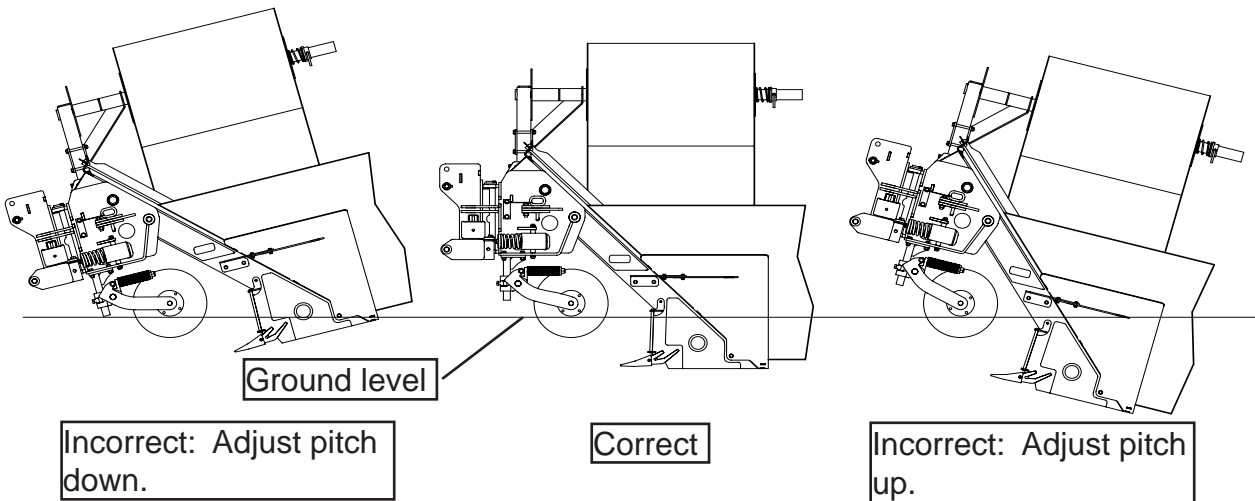
STARTING THE FENCE INSTALLATION

The loader arms control the depth of the installer. The bucket tilt cylinders or the top-link hydraulic cylinder on a tractor control the pitch of the installer. With the installer approximately level, drop the attachment to the desired depth under ground. When the installer is at the desired depth, stake the fabric or have a co-worker hold the fabric. Depending on depth and soil conditions, ground friction will hold the fabric after 5 to 10 feet have been installed. Pull the installer away from the starting point. The fabric pulls itself through the chute as the installer moves.



INSTALLER PITCH ANGLE

Important: The pitch of the installer must be held level with the direction of travel. Use the or the bucket tilt cylinder to keep the pitch level. Material will not feed correctly if the installer pitch is not kept parallel with the direction of travel. Use the fabric roll holder as a guide.

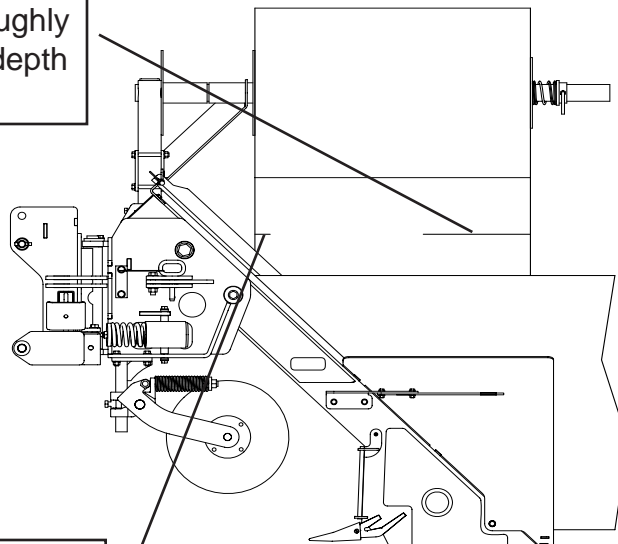


CUTTING THE FABRIC

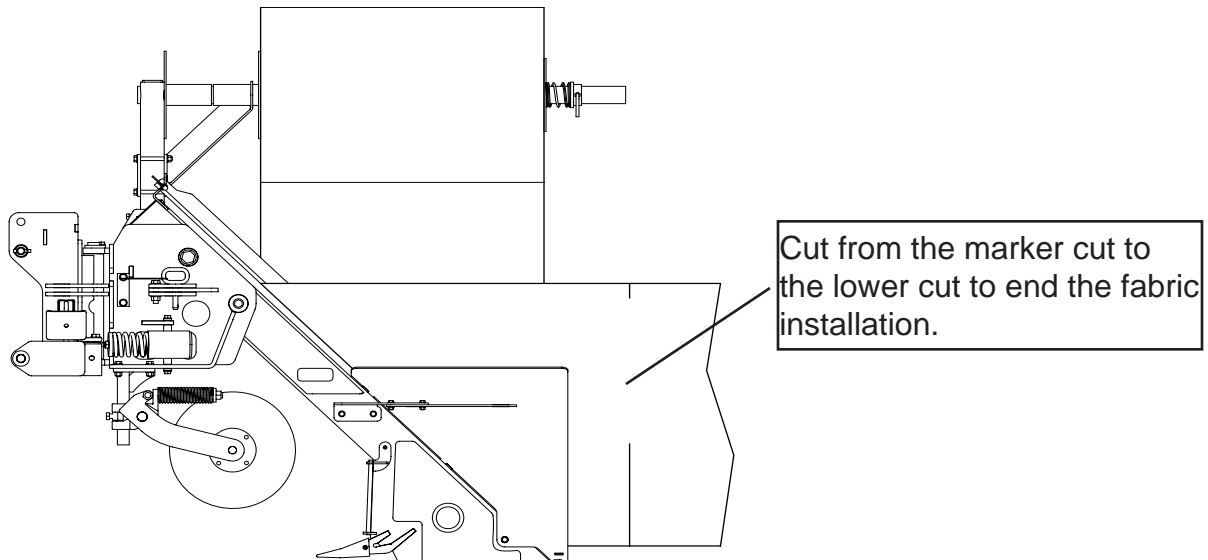
Stop the installer 3 to 4 feet before the end of the fence installation

Cut the back of the fabric above the chute roughly 2" longer than the depth of the installation.

Make a small marker cut parallel with the large cut on the front of the fabric.



After the cuts have been made, pull the installer forward until the cuts are behind the fabric chute.



The fabric can also be cut completely above the chute. The method shown above does not require the fabric to be re-threaded after the cut.

Make sure the fabric has been pulled completely through the chute before raising the installer out of the ground. If fabric is still in the chute as it is being raised, the fabric can be pulled to the bottom of the chute. This may cause the fabric to catch or tear.

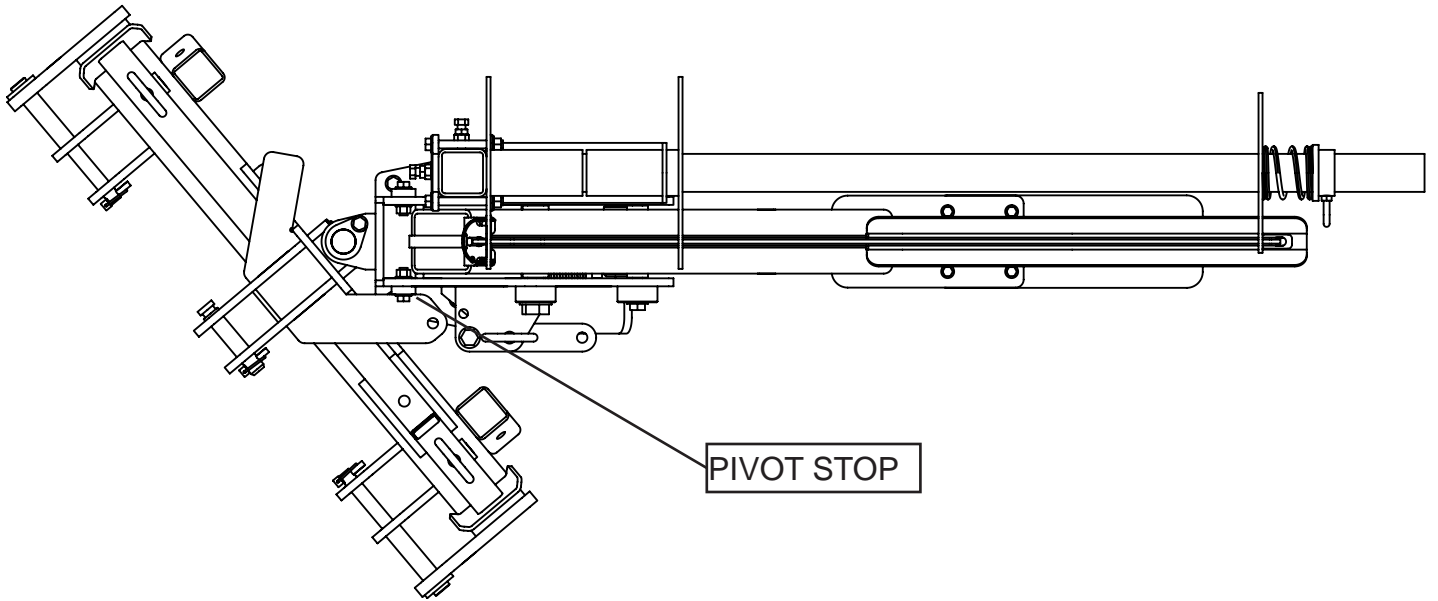
FINISHING THE FENCE INSTALLATION



After the fence has been sliced in, use the tractor or loader to drive over the sliced trench and compact the soil. This will lock the fabric in place. For a proper installation, the soil should be compacted before the posts are installed.

After the fabric has been compacted, install posts and attach the fabric to the posts according to the job specifications.

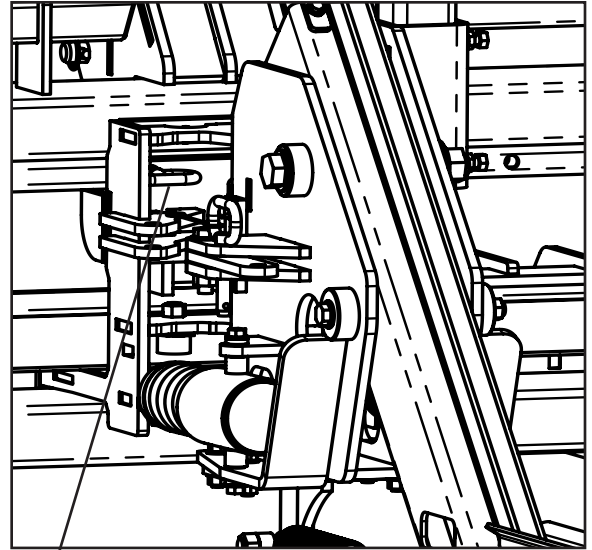
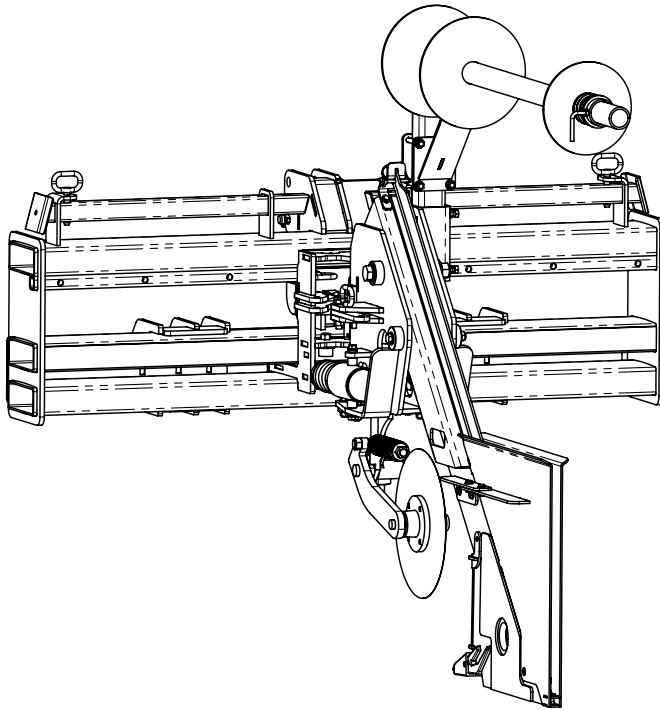
TURNING THE SILT FENCE INSTALLER



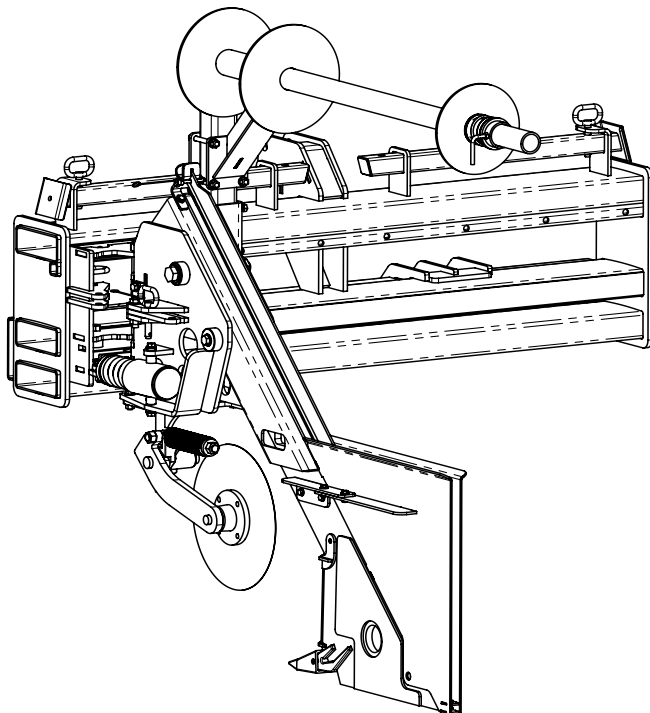
The silt fence installer pivots 40 degrees from centerline between the hitch and the frame. This allows the machine to install tight radius curves in the silt fence installation. There is a pivot stop on the hitch of the silt fence installer. Do not continue to turn the skid steer after the silt fence installer has reached the pivot stop. Oversteering the machine may cause the silt fence installer blade to bend. Blades bent from oversteering are not covered by warranty.

SLIDING OFFSET HITCH

Optional sliding offset hitches are available. A sliding offset hitch allows the silt fence installer to be offset to the left or right of center.

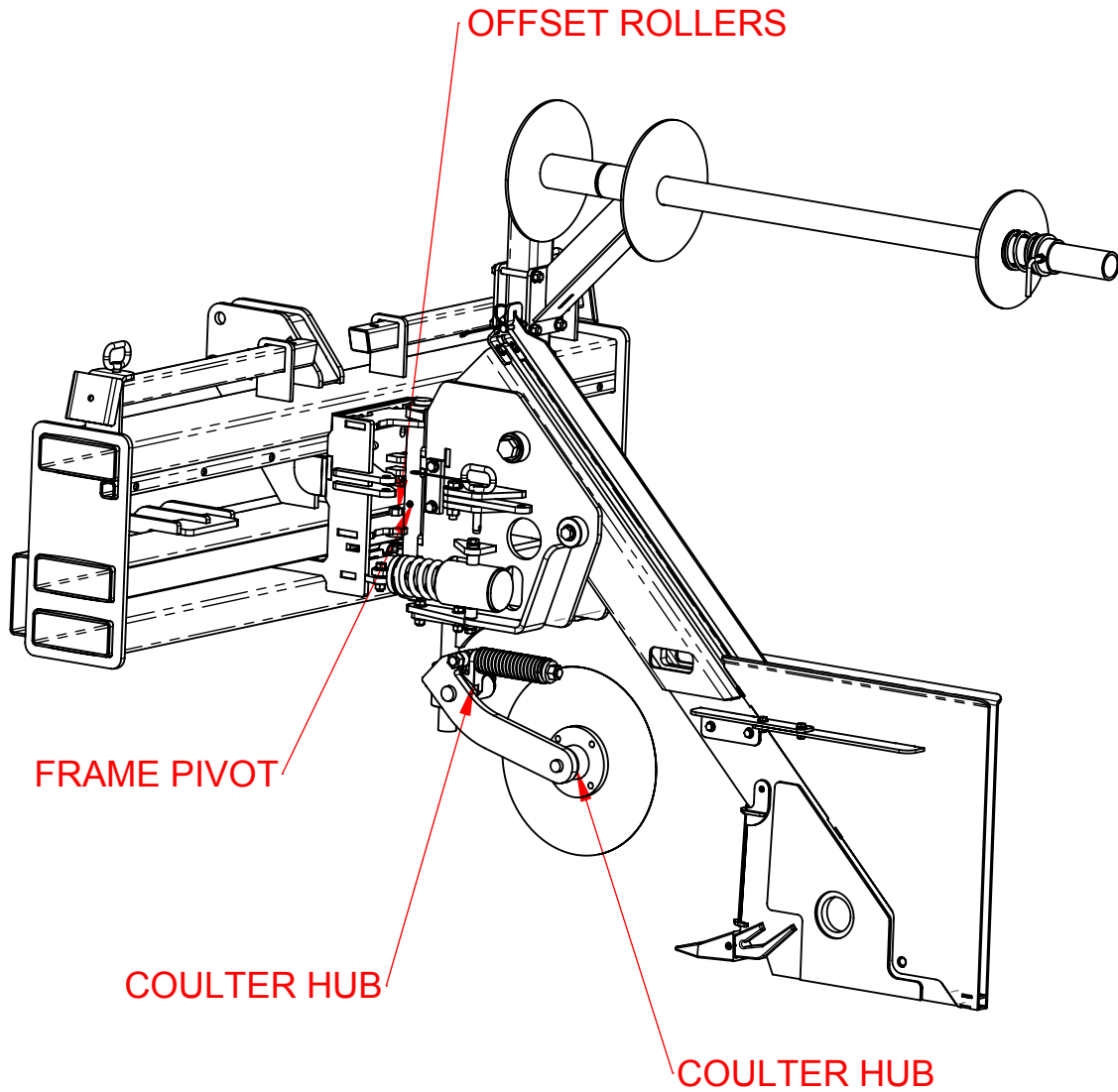


Pull the slider lock pin to unlock the hitch. Slide the installer to the desired position and replace the pin.



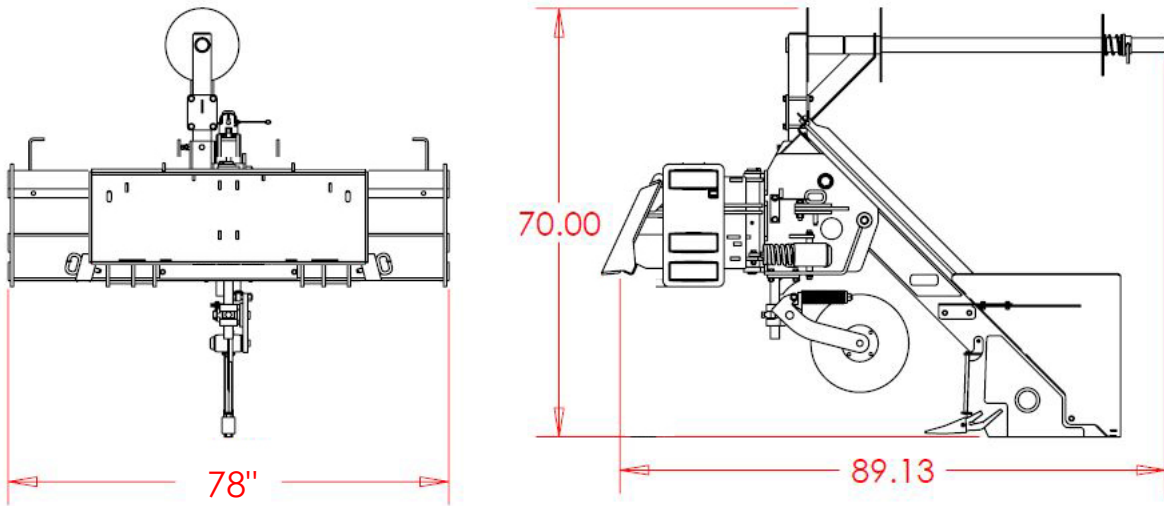
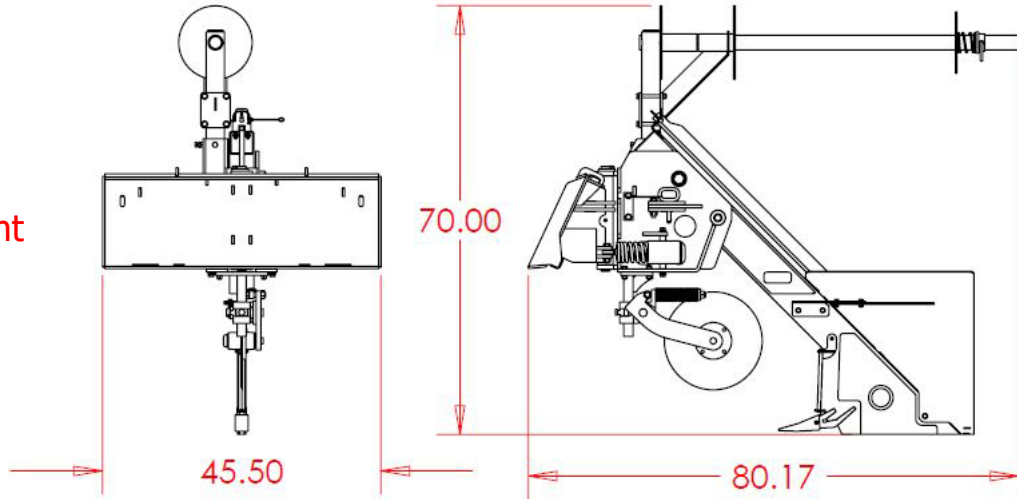
MAINTENANCE

Grease all zerks every 20 hours of operation or weekly.



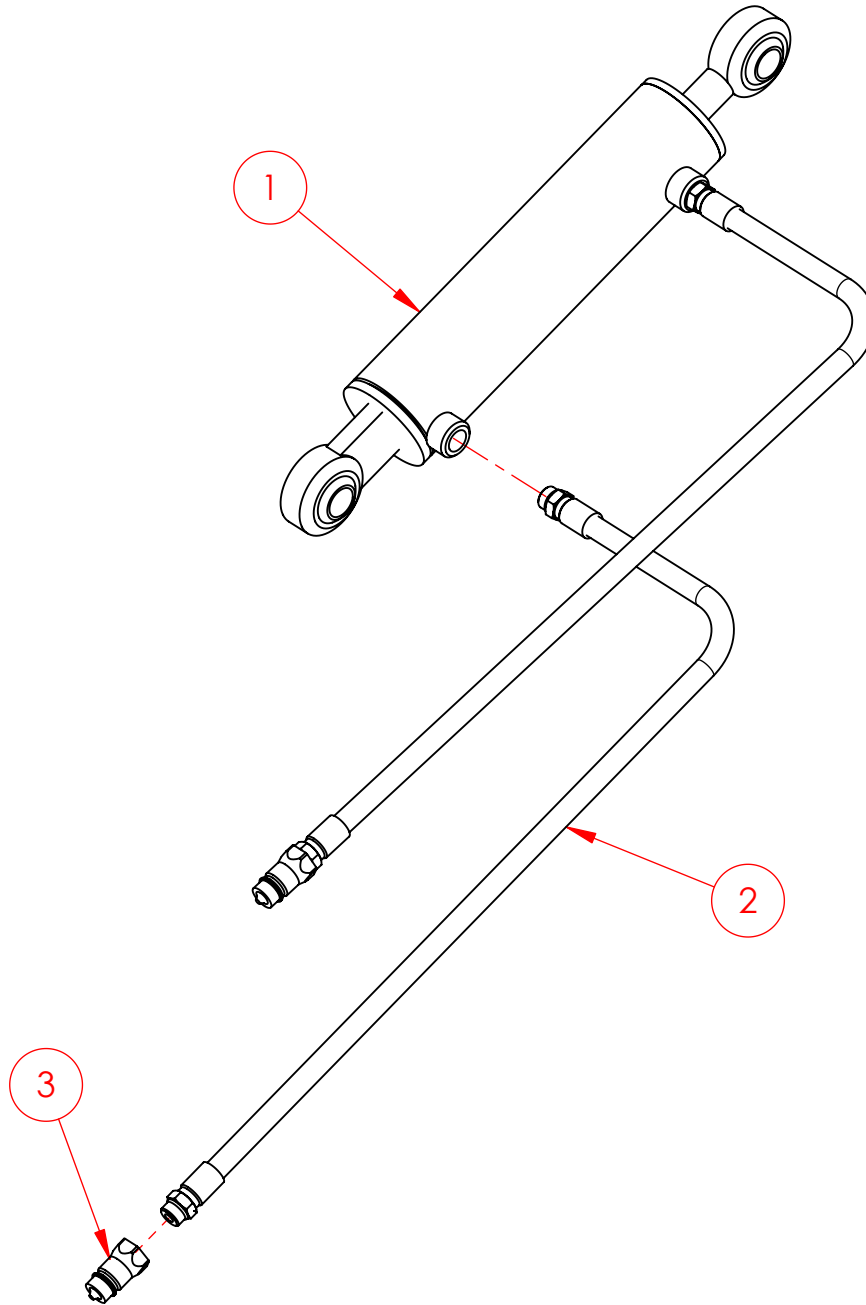
MACHINE CONFIGURATIONS

Center Mount



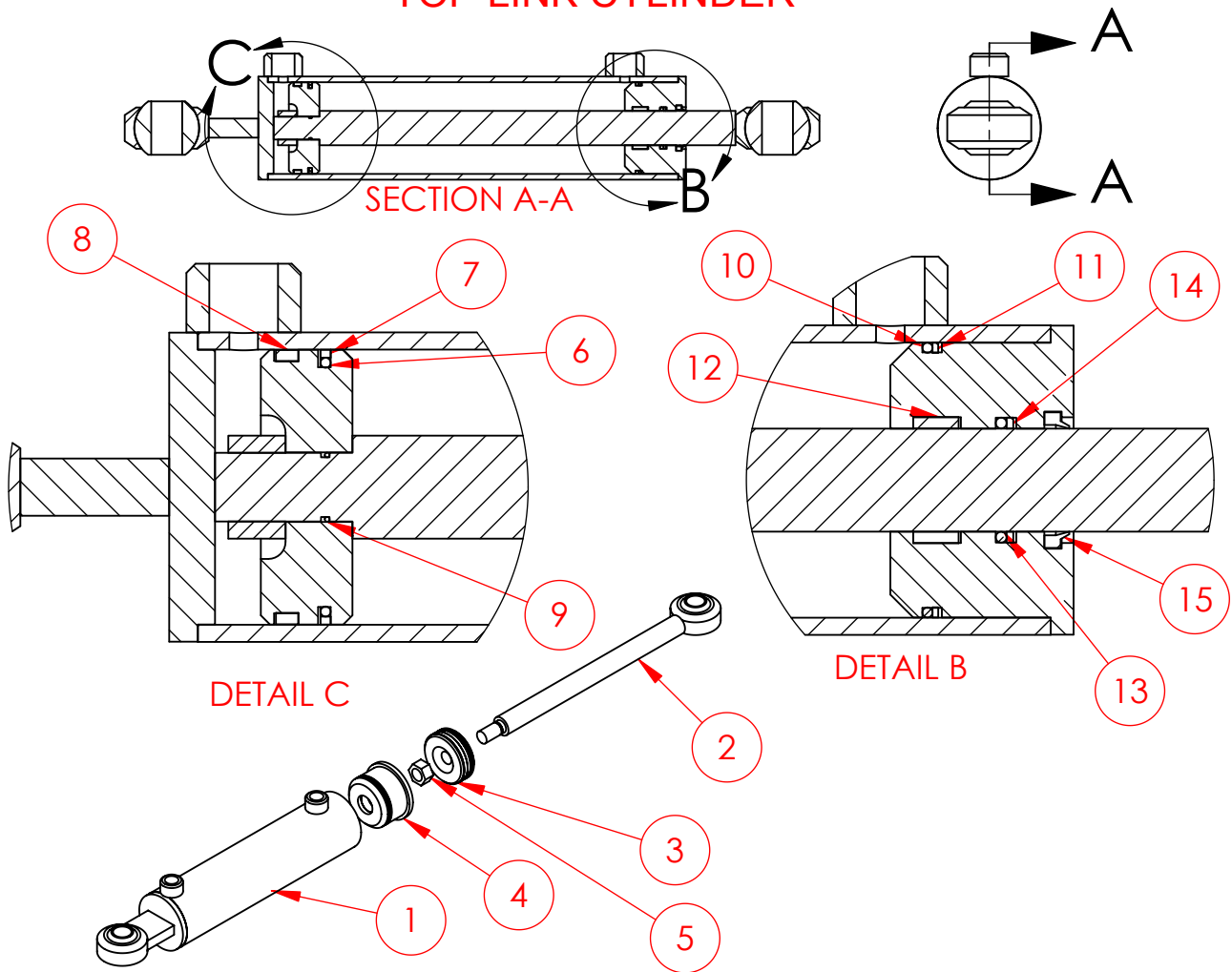
Sliding Offset Mount

TOP LINK HYDRAULIC CYLINDER
(for sliding offset mount only)



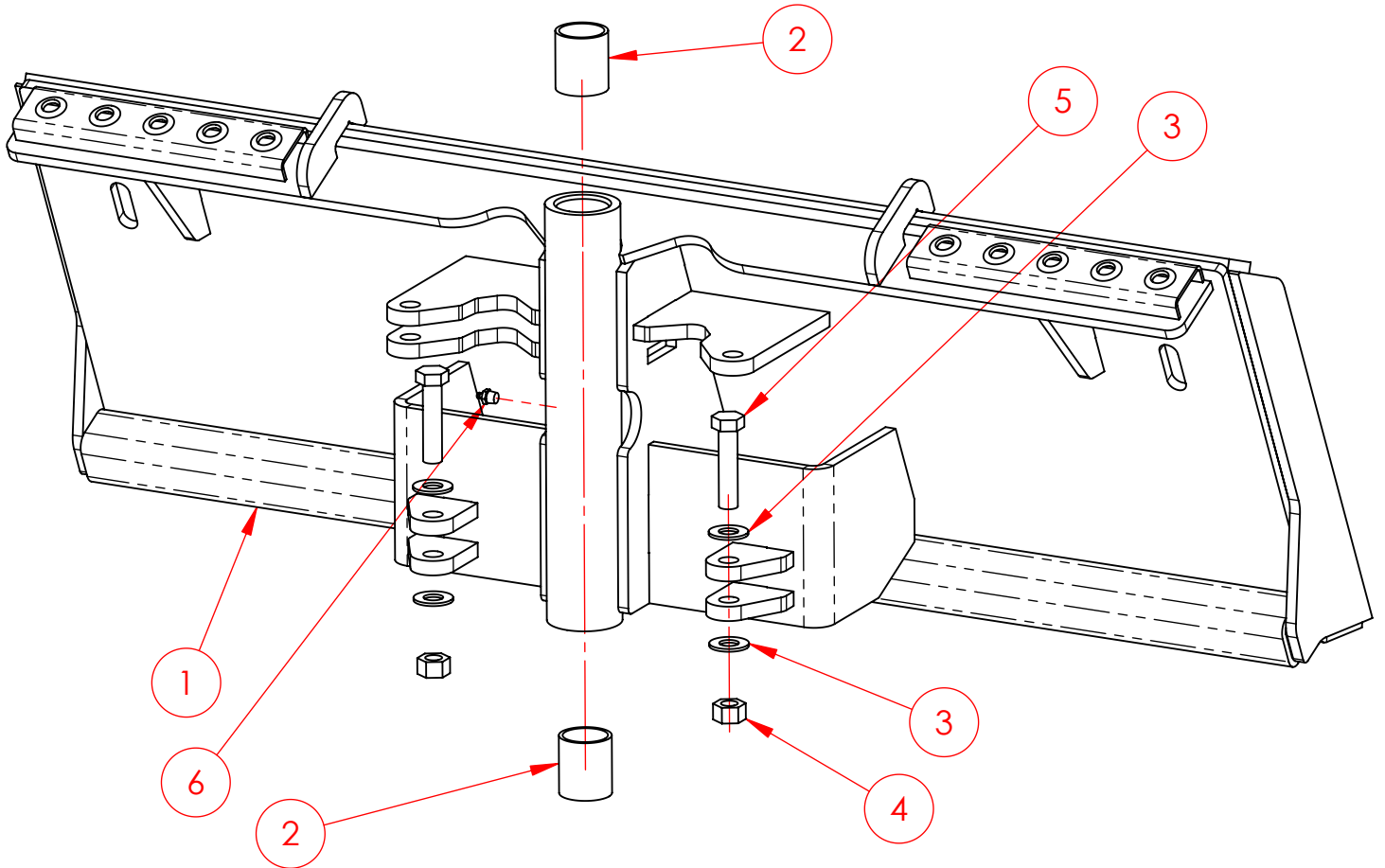
ITEM NO.	PART NUMBER	DESCRIPTION	QTY.
1	10503	CYLINDER - 3 X 10 TOP LINK	1
2	10539	HYD HOSE, 3/8 X 8ORB X 8 ORB X 36", 3000PSI	2
3	10540	AG QUICK COUPLER, 8 ORB F	2

TOP LINK CYLINDER



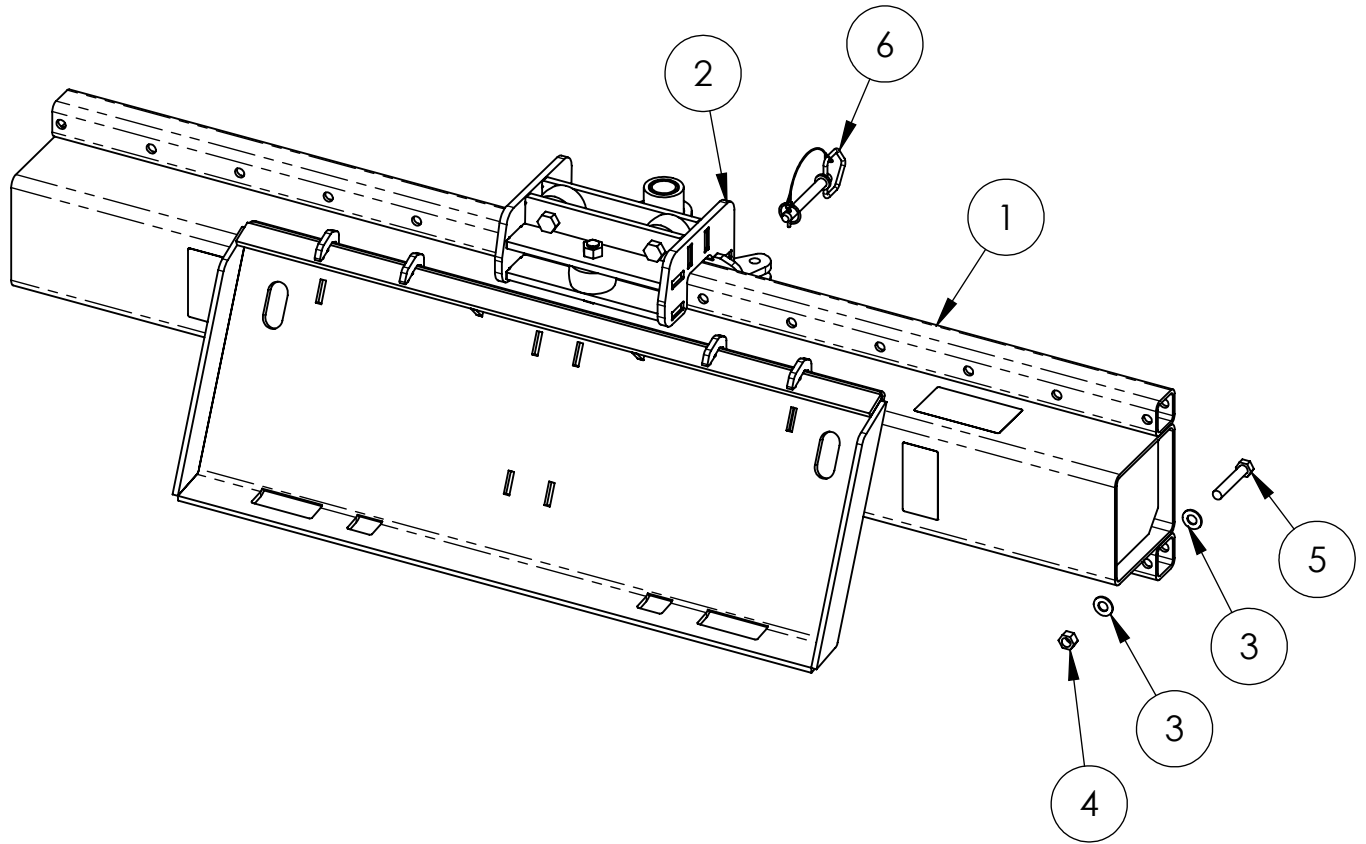
ITEM NO.	PART NUMBER	DESCRIPTION	QTY
1	11172	CASE WELDMENT, 3X10	1
2	11173	CYL ROD WELDMENT, 3X10	1
3	11174	CYL PISTON, 3"	1
4	11175	CYL HEAD, 3"	1
5	10467	NUT - 3/4-16 HEX LOCK GR5 ZY	1
6	11176	O-RING	1
7	11177	PISTON SEAL, 3"	1
8	11178	BORE WEAR RING	1
9	11179	SHAFT O-RING	1
10	11180	O-RING	1
11	11181	BACK-UP RING	1
12	11182	SHAFT WEAR RING	1
13	11183	O-RING	1
14	11184	BACK-UP RING	1
15	11185	CYL ROD WIPER	1
16	11186	SEAL KIT, INCLUDES ITEMS 6-15	1

SKID STEER HITCH ASSEMBLY



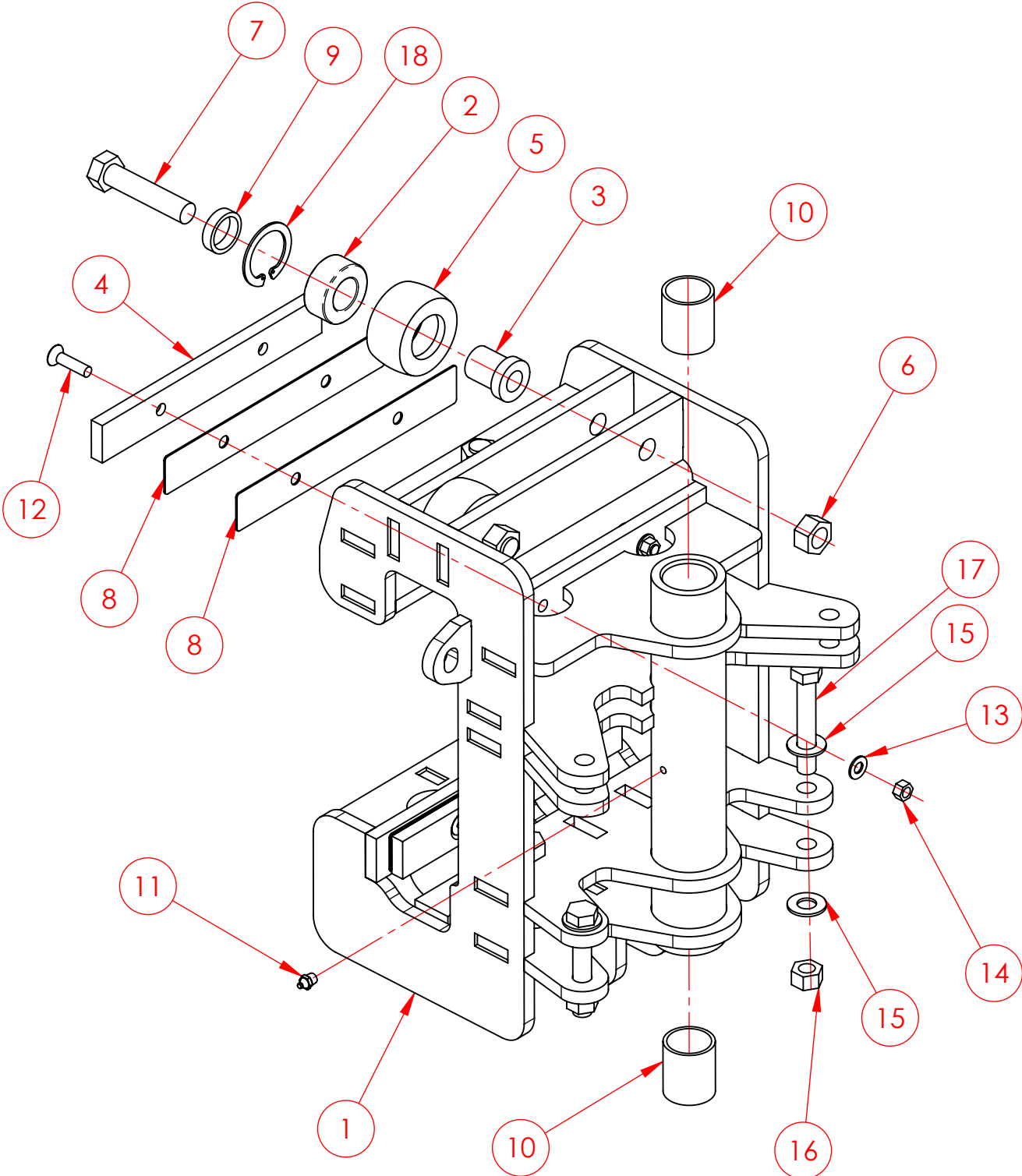
ITEM NO.	PART NUMBER	DESCRIPTION	QTY
1	11068	SFI SKID STEER MOUNT	1
2	11086	BUSHING, 1.5ID X 1.75OD X 2.0	2
3	10104	WASHER, 5/8 SAE GR8 ZY	4
4	11122	NUT - 5/8-11 SLTL GR8 ZY	2
5	11123	BOLT, 5/8-11 X 2.75 GR8 ZY	2
6	10434	GREASE ZERK, 1/8 NPT ST.	1

SLIDING OFFSET ASSEMBLY 78"



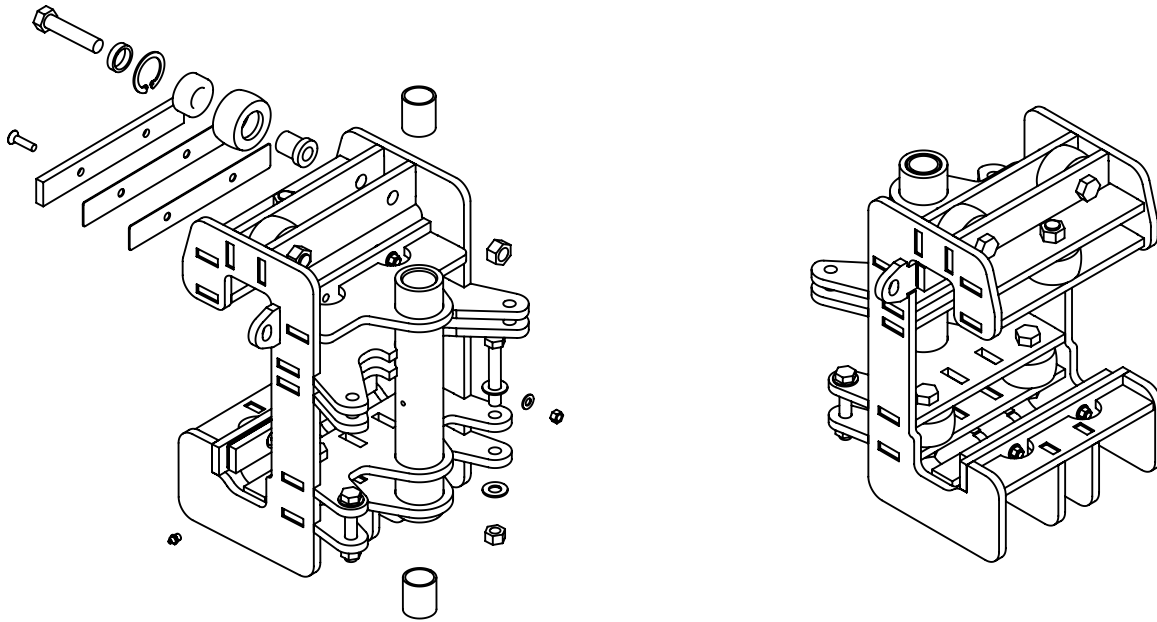
ITEM NO.	PART NUMBER	DESCRIPTION	QTY.
1	17017	HITCH, 78" OFFSET, SKID STEER	1
2	11240	SLIDING BRACKET ASSEMBLY	1
3	10104	WASHER, 5/8 GR8 ZY	4
4	11122	NUT, 5/8-11 SLTL GR8 ZY	2
5	11207	BOLT, 5/8-11 X 3.5 GR8 ZY	2
6	11249	HITCHPIN ASSY, 5/8 X 4 1/4	1

SLIDING BRACKET ASSEMBLY



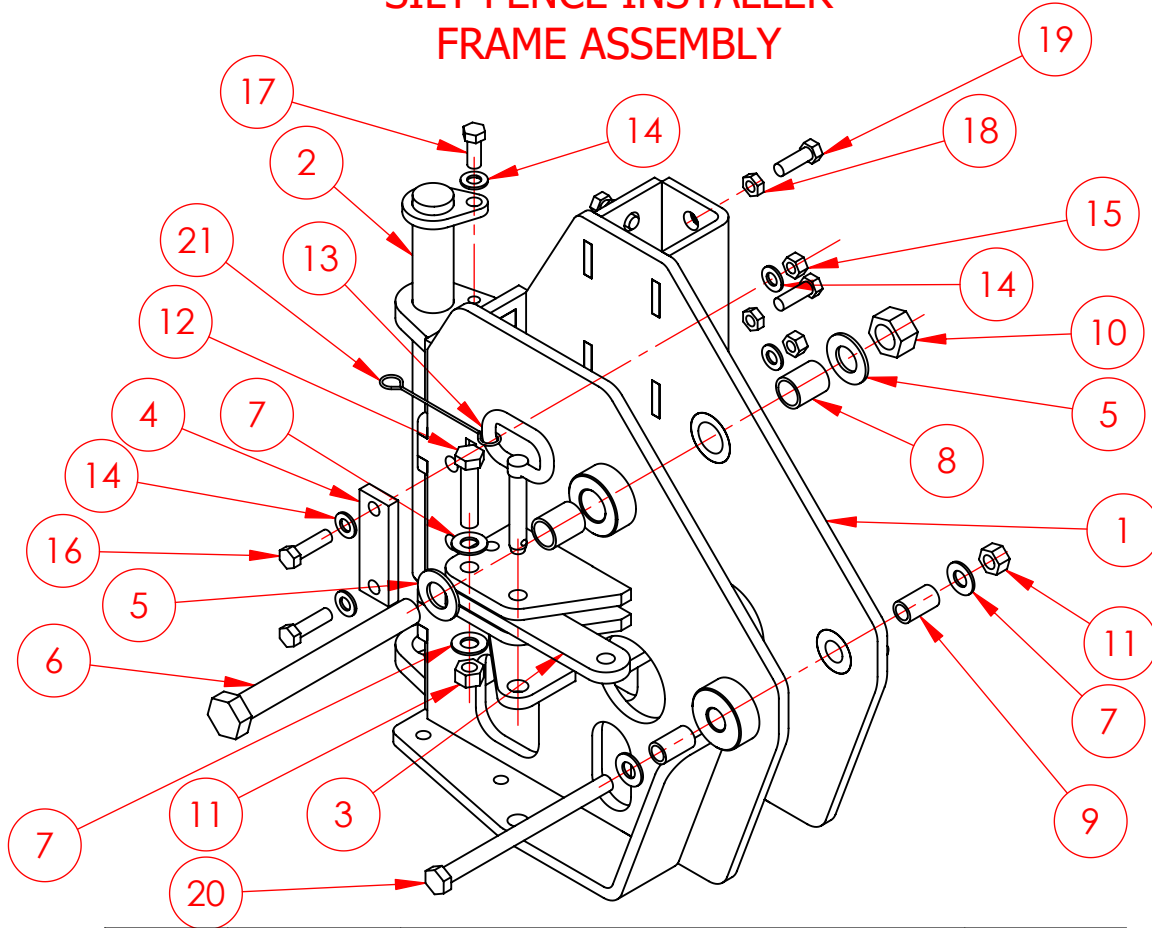
ITEM NUMBERS ARE LISTED ON THE NEXT PAGE.

SLIDING BRACKET ASSEMBLY



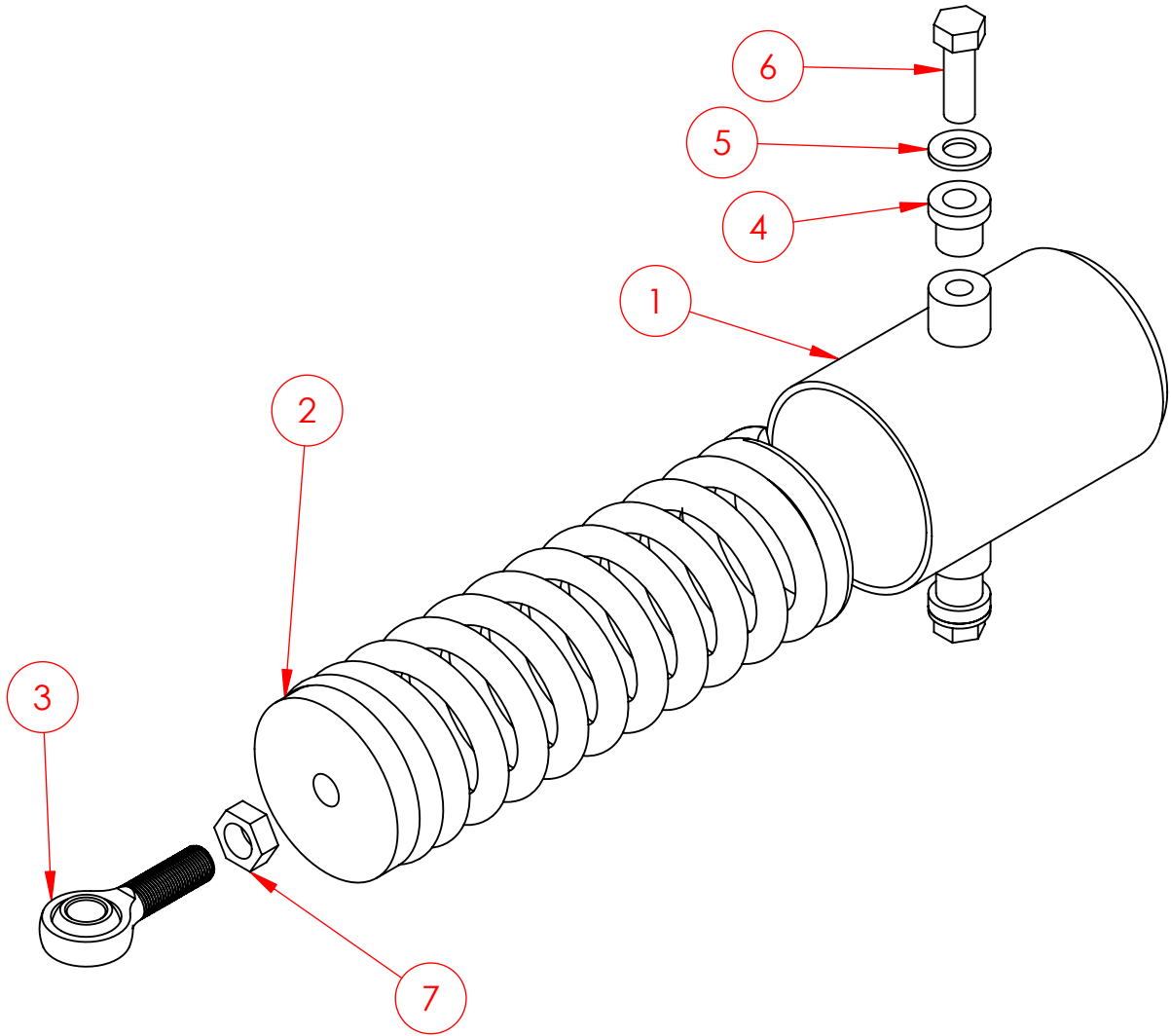
ITEM NO.	PART NUMBER	DESCRIPTION	QTY
1	11223	SLIDING OFFSET BRACKET	1
2	11238	BEARING, 2.165" DOUBLE ROLL	5
3	11236	BUSHING, ROLLER BEARING	5
4	10720	PRESSURE PAD	3
5	11235	ROLLER, SLIDING OFFSET	5
6	10106	NUT - 3/4-10 GR8 TL ZY	5
7	11208	BOLT, 3/4-10 X 3.5 GR8 ZY	5
8	11239	SHIM PLATE	6
9	11237	BUSHING, BEARING SHIM	5
10	11086	BUSHING, 1.5ID X 1.75OD X 2.0	2
11	10434	GREASE ZERK, 1/8 NPT ST.	1
12	10948	CAP SCREW, 3/8-16 X 1.50 CTRSK GR8 ZY	6
13	10110	WASHER, 3/8 SAE GR8 ZY	6
14	10947	NUT, 3/8-16 SLTL GR8 ZY	6
15	10104	WASHER, 5/8 SAE GR8 ZY	4
16	11122	NUT - 5/8-11 SLTL GR8 ZY	2
17	11247	BOLT, 5/8-11 X 3.75 GR8 ZY	2
18	11248	SNAP RING, 2.295 OD X .078	5

SILT FENCE INSTALLER FRAME ASSEMBLY



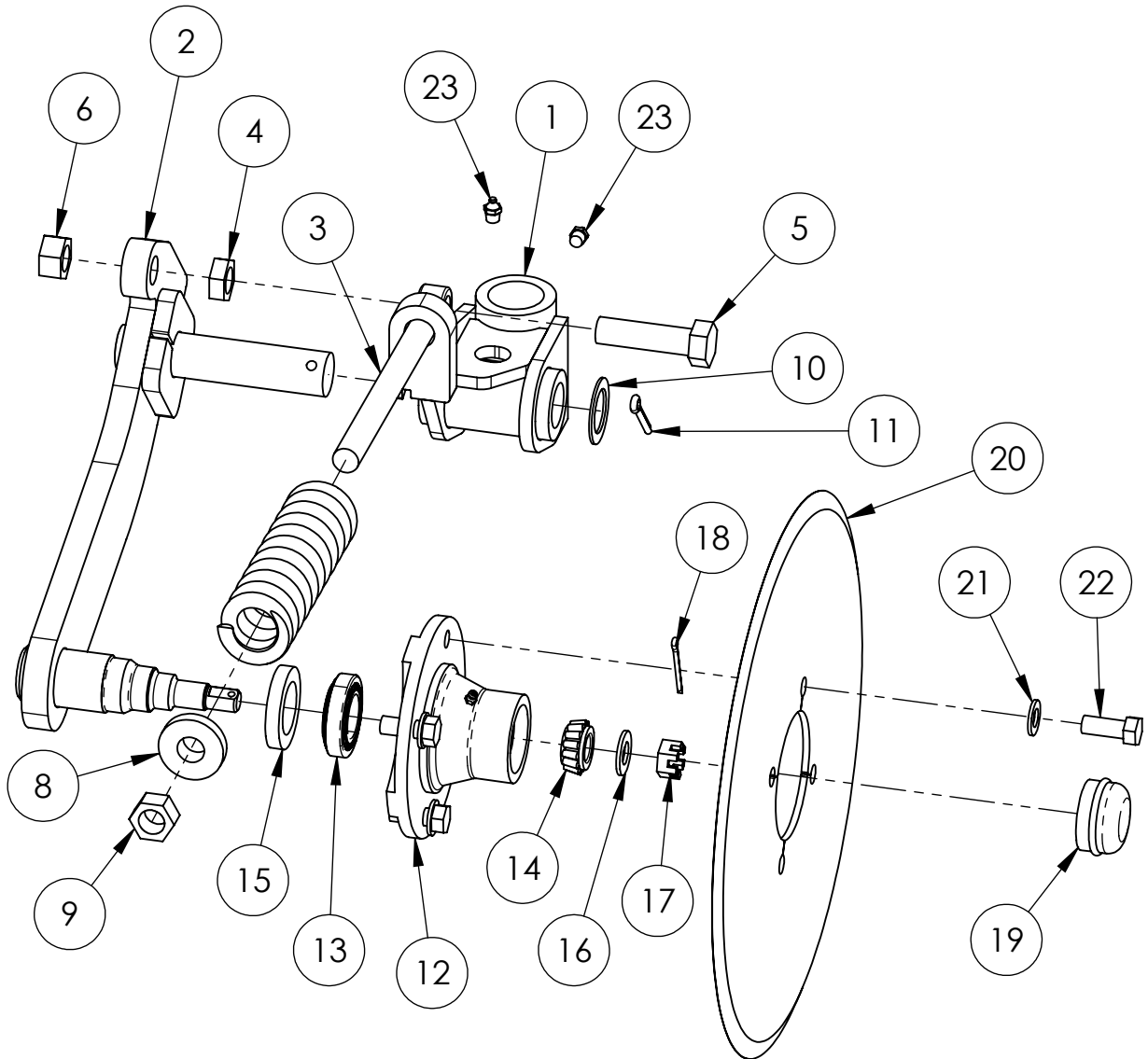
ITEM NO.	PART NUMBER	DESCRIPTION	QTY
1	10992	SFI FRAME	1
2	11084	SFI PIVOT PIN	1
3	11034	TRANSPORT LOCK PLATE	1
4	11039	PIVOT STOP BAR	2
5	10679	WASHER, 1" SAE GR8 ZY	2
6	11089	BOLT, 1-8 X 9 GR8 ZY	1
7	10104	WASHER, 5/8 SAE GR8 ZY	4
8	11087	BUSHING, 1.0ID X1.25OD X 1.5	2
9	11088	BUSHING, .63ID X .88OD X 1.5	2
10	10678	NUT, 1-8 TL GR8 ZY	1
11	11122	NUT - 5/8-11 SLTL GR8 ZY	2
12	11123	BOLT, 5/8-11 X 2.75 GR8 ZY	1
13	10929	PIN - 5/8 X 3 DETENT	1
14	10062	WASHER- 1/2 SAE GR8 ZY	9
15	10395	NUT - 1/2-13 GR8 ZY	4
16	10435	BOLT - 1/2-13 X 1.75 GR8 ZY	4
17	10433	BOLT - 1/2-13 X 1.25 GR8 ZY	1
18	11125	JAM NUT - 1/2-13 GR8 ZY	4
19	10394	BOLT - 1/2-13 X 1.50 GR8 ZY	4
20	11090	BOLT, 5/8-11 X 8.5 GR8 ZY	1
21	11149	LANYARD, 10"	1

CENTERING SPRING ASSEMBLY



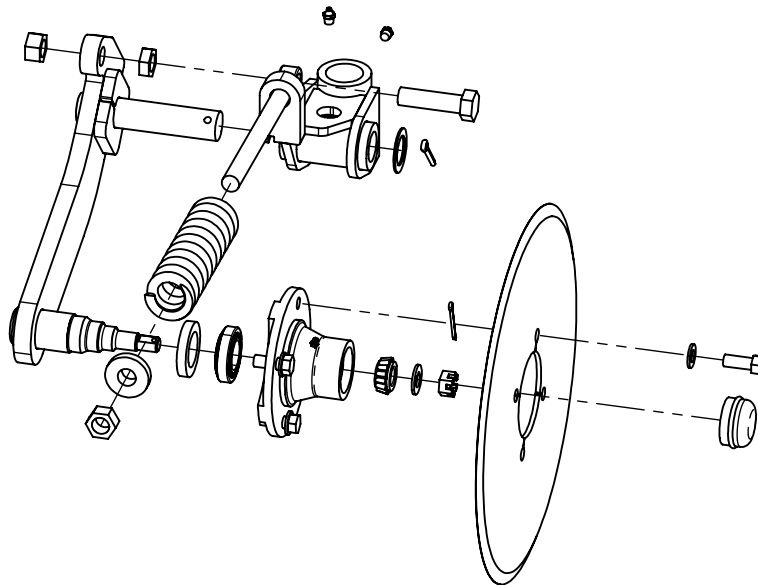
ITEM NO.	PART NUMBER	DESCRIPTION	QTY
1	11023	SPRING CAN	1
2	11030	CENTERING SPRING	1
3	11021	ROD END, 5/8 SHANK X 1/2	1
4	10393	BUSHING - SPRING PIVOT	2
5	10062	WASHER- 1/2 SAE GR8 ZY	2
6	10394	BOLT - 1/2-13 X 1.50 GR8 ZY	2
7	10608	NUT, 5/8-18 JAM, GR8 ZY	1

COULTER BLADE ASSEMBLY

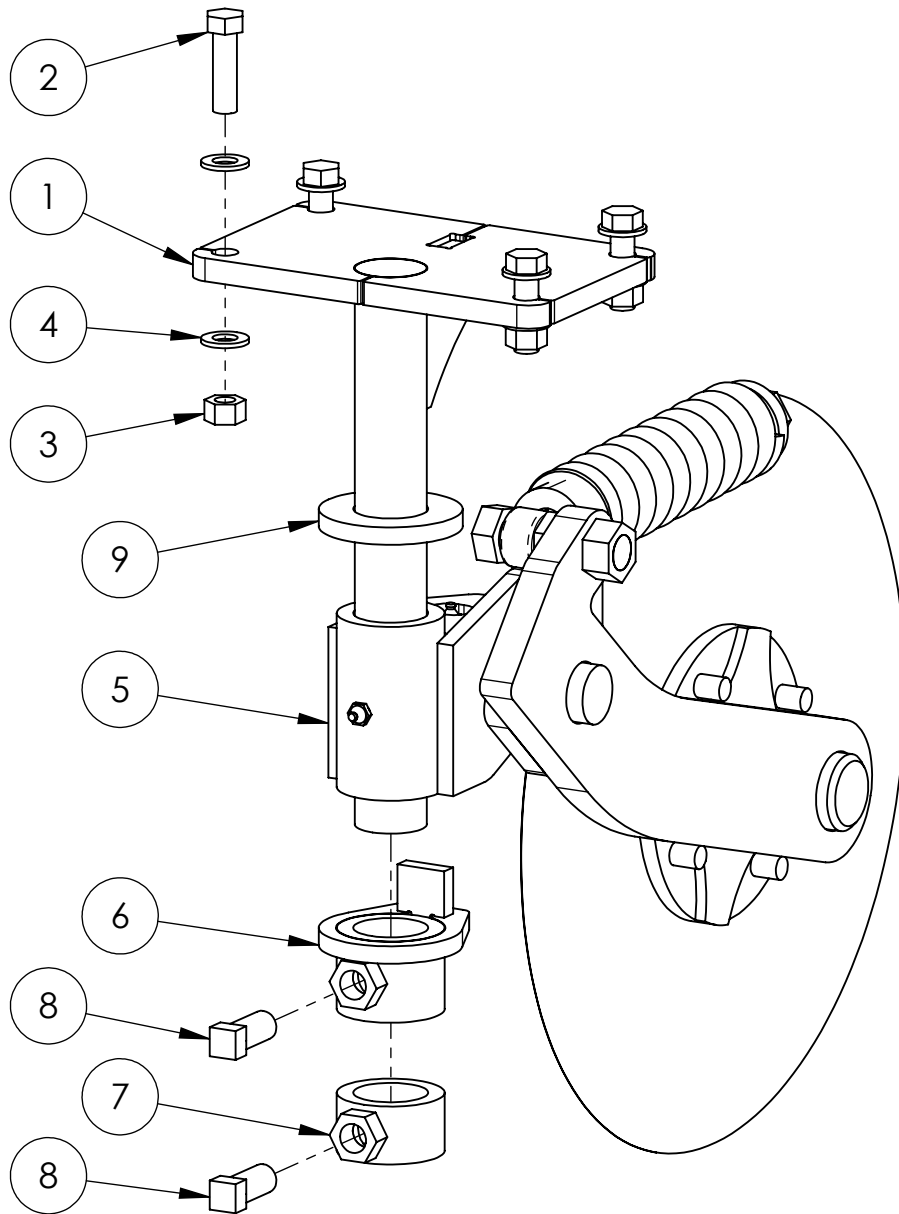


COULTER BLADE ASSEMBLY

ITEM NO.	PART NUMBER	DESCRIPTION	QTY.
1	14416	COULTER SWIVEL BRACKET	1
2	13117	BRACKET, COULTER ARM	1
3	10438	COULTER SPRING ROD	1
4	11204	NUT - 3/4-10 GR8 JAM ZY	1
5	10108	BOLT, 3/4-10 X 2.75 GR8 ZY	1
6	10632	NUT, 3/4-10 GR8 ZY	1
7	10468	SPRING, COULTER ARM	1
8	10469	BUSHING - SPRING TENSION	1
9	10106	NUT - 3/4-10 GR8 TL ZY	1
10	10470	WASHER - 1 17/64 ID X 1 7/8 OD X 14GA	1
11	10471	COTTER PIN, 1/4 X 1 3/4	1
12	12621	HUB, 4 BOLT, 5" W/ CUPS	1
13	12718	BEARING CONE, 1.25" LM67048	1
14	12713	BEARING CONE, .75"	1
15	12714	SEAL, 2.328 X 1.50 X .390	1
16	14414	PLATE, WASHER 669 SPINDLE	1
17	12716	NUT, SLOTTED HEX, 5/8-18	1
18	10963	COTTER PIN, 1/8 X 1.75	1
19	12715	HUB CAP, N669 HUB	1
20	10928	COULTER BLADE - 16"	1
21	10062	WASHER, 1/2 SAE GR8 ZY	4
22	12165	BOLT, 1/2-20 X 1.25 GR8 ZY	4
23	10434	GREASE ZERK, 1/8 NPT ST.	2

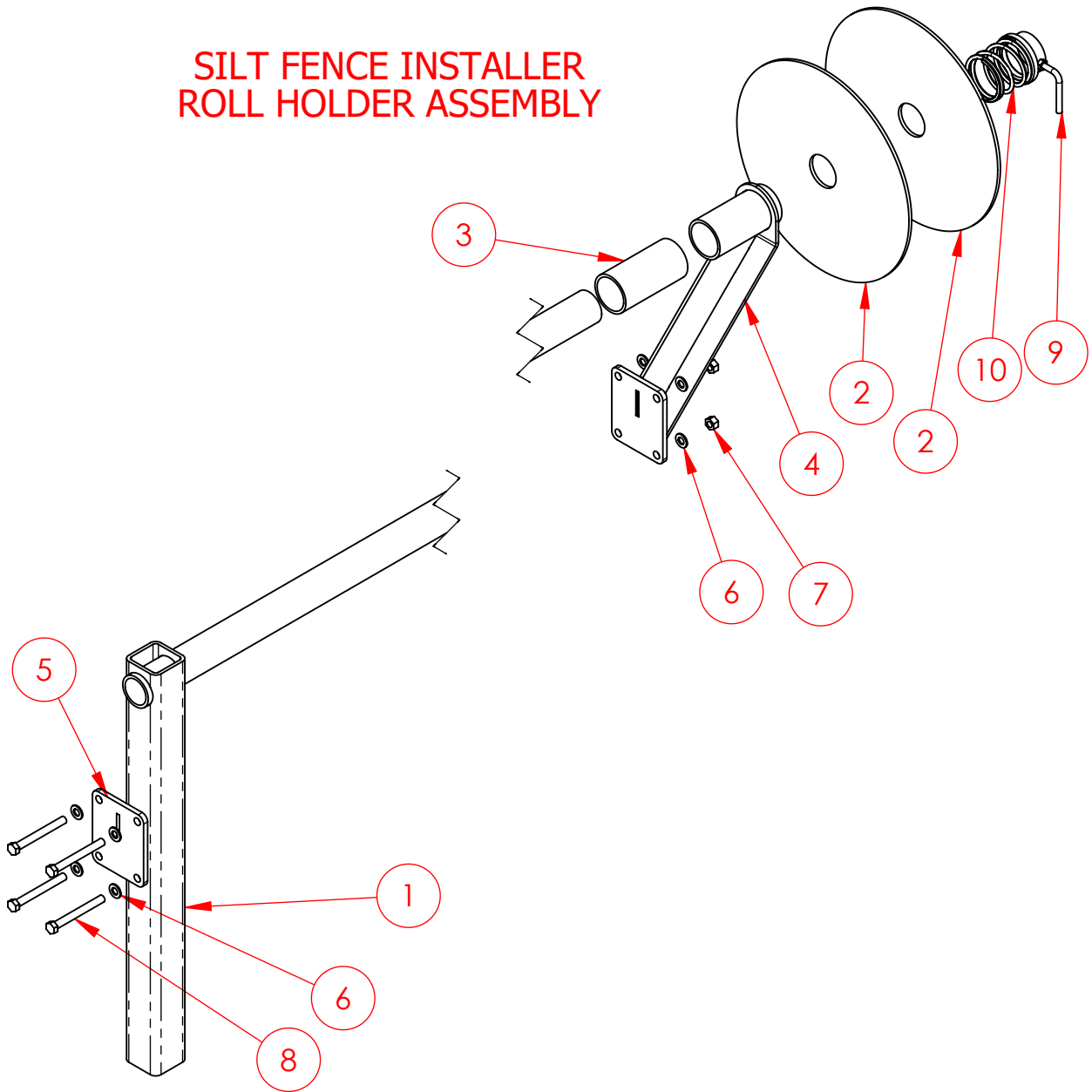


COULTER & BRACKET ASSEMBLY



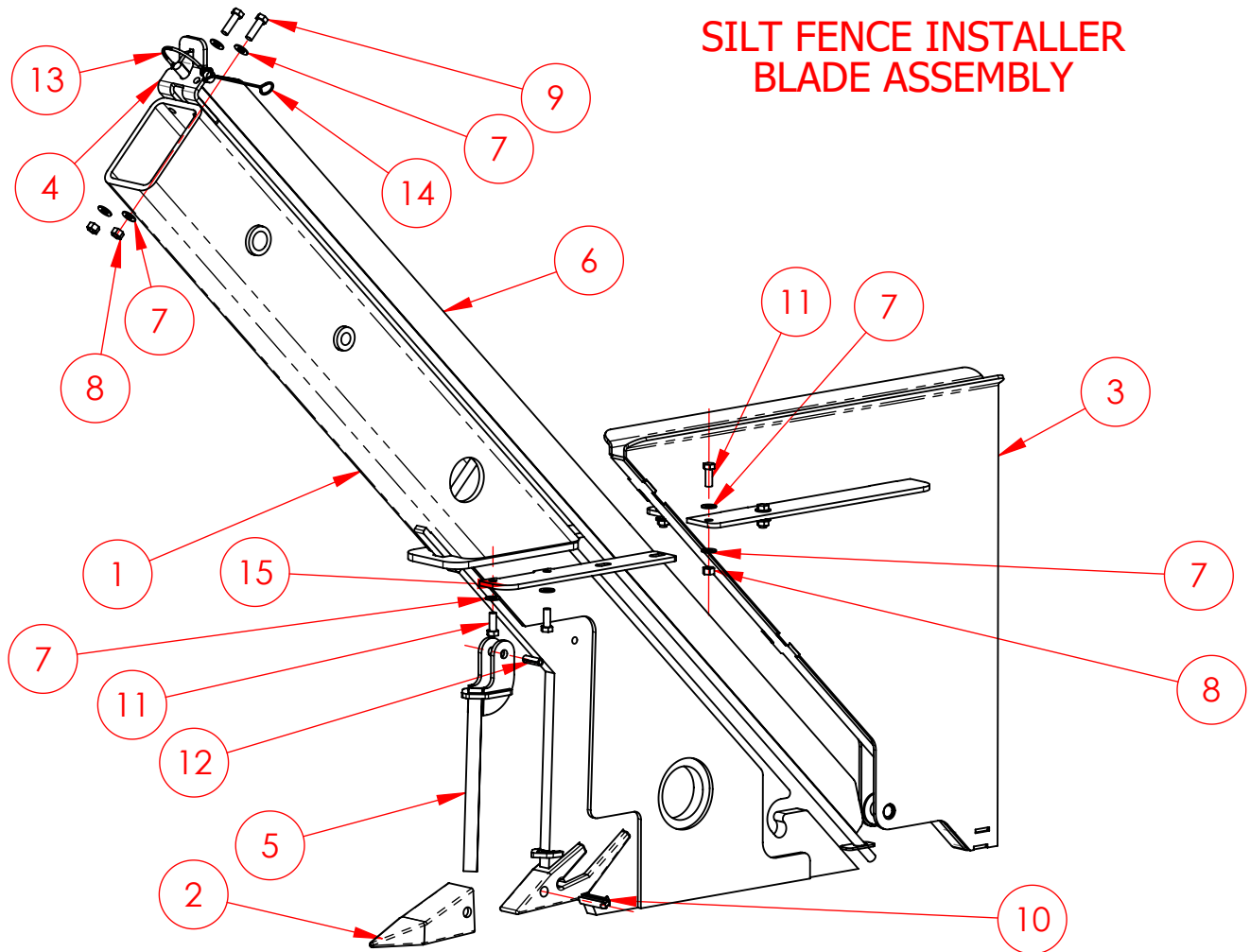
ITEM NO.	PART NUMBER	DESCRIPTION	QTY.
1	10989	COULTER MOUNT BRACKET	1
2	10435	BOLT - 1/2-13 X 1.75 GR8 ZY	4
3	10395	NUT, 1/2-13 GR8 HEX ZY	4
4	10062	WASHER, 1/2 SAE GR8 ZY	8
5	16687	COULTER ASSEMBLY	1
6	16688	COULTER STOP, PLOW	1
7	16690	COULTER TOP, PLOW	1
8	12481	BOLT, 5/8-11 X 1.25 SQ HD SS, GR8 ZY	2
9	16729	PLATE, COULTER TOP WASHER	1

SILT FENCE INSTALLER ROLL HOLDER ASSEMBLY



ITEM NO.	PART NUMBER	DESCRIPTION	QTY
1	10999	FABRIC ROLL STAND	1
2	10043	PLATE - ROLL STOP	2
3	11107	ROLL SPACER TUBE	1
4	11111	ROLL HOLDER GUSSET	1
5	11108	GUSSET MOUNT PLATE	1
6	10062	WASHER- 1/2 SAE GR8 ZY	8
7	10395	NUT - 1/2-13 GR8 ZY	4
8	11127	BOLT - 1/2-13 X 4.50 GR8 ZY	4
9	10196	ROLL RETAINER LOCK	1
10	11203	ROLL RETAINER SPRING	1

SILT FENCE INSTALLER BLADE ASSEMBLY



ITEM NO.	PART NUMBER	DESCRIPTION	QTY
1	11195	SFI BLADE	1
2	10129	PLOW TOOTH	1
3	11004	SFI FABRIC CHUTE	1
4	11198	PLATE - FABRIC ROD	1
5	11045	SFI BLADE CUTTING EDGE	1
6	11085	FABRIC FOLD BAR	1
7	10110	WASHER, 3/8 SAE GR8 ZY	16
8	10947	NUT, 3/8-16 SLTL GR8 ZY	6
9	10113	BOLT, 3/8-16 X 1.25 GR8 ZY	2
10	10130	PLOW TOOTH PIN	1
11	10112	BOLT, 3/8-16 X 1 GR8 ZY	8
12	11135	ROLL PIN, 3/8 X 1 1/4	1
13	11148	PIN, 5/16 X 2 1/4 ROUND WIRELOCK	1
14	11149	LANYARD, 10"	1
15	11194	PLATE - CHUTE SUPPORT	2

LIMITED WARRANTY FOR NEW BLUE DIAMOND ATTACHMENT PRODUCTS

The manufacturer warrants to the original retail purchaser that this product is free from defects in material and workmanship and agrees to repair or replace, at manufacturer's discretion, any defective product free of charge within 1 year from the date of purchase.

This warranty is not transferable and does not cover damage resulting from defects other than in material or workmanship, or damage caused by unreasonable use, including the failure to provide reasonable and necessary maintenance. Also, the warranty obligations do not apply to conditions resulting from misuse, alteration or accident. In addition, this warranty does not cover replacement of parts that may wear and need to be replaced with reasonable use within the warranty period or which may require replacement in connection with normal maintenance. This Warranty terminates once the Product has been altered or repaired by others without Blue Diamond's express written consent.

SAVE YOUR SALES RECEIPT

Proof of purchase in the form of your dated sales receipt, cash register slip, etc. showing the serial number and the model of your product will be required before our dealers can perform warranty service on the product. You must at your own expense, arrange to deliver or ship the product for warranty repairs and arrange for pickup or return of the product after repairs have been made.

THIS LIMITED WARRANTY IS IN LIEU OF ALL OTHER EXPRESS WARRANTIES. ANY IMPLIED WARRANTY OF FITNESS FOR A PARTICULAR PURPOSE, MERCHANTABILITY OR OTHERWISE, SHALL BE EXCLUDED AND HEREBY DISCLAIMED. THE MANUFACTURER SHALL NOT BE LIABLE FOR ANY SPECIAL, INCIDENTAL OR CONSEQUENTIAL DAMAGES INCLUDING LOSS OF PROFITS LOSS OF PRODUCTION OR ANY DELAY ARISING IN CONNECTION WITH THE INABILITY TO USE THE PRODUCTS.

HOW TO OBTAIN WARRANTY SERVICE

Warranty service can be obtained from a Blue Diamond dealer authorized to make warranty repairs. If you need warranty service, check first with the dealer from whom you purchased the product. The manufacturer will not make any reimbursements for warranty service, except to Blue Diamond dealers authorized to make warranty repairs. You must present your sales receipt when making any claim for warranty service.

This warranty gives you specific legal rights, and you may also have other rights which vary from state to state. If you have any questions regarding your warranty rights and responsibilities, you should contact your Blue Diamond dealer or Blue Diamond Attachments, LLC at 888-376-7027.

Product & Warranty Registration Card

Model: _____ Serial Number: _____

Owner's Name: _____

Company Name: _____

Address: _____

City: _____ State: _____ Zip Code: _____

Phone number: _____

Date of purchase: _____

Name of dealer: _____

Customer Signature: _____

Date: _____

Please fill out and return this card with a copy of your sales receipt to:

Blue Diamond Attachments, LLC
4512 Anderson Road
Knoxville, TN 37918