

# Extreme Duty Brush Cutter

Operation and Maintenance Manual



Register your  
**WARRANTY**  
within 30 days  
of purchase



888-376-7027 | [BlueDiamondAttachments.com](http://BlueDiamondAttachments.com)



# Introduction: Owner Information

Thank you for your decision to purchase a Blue Diamond® Extreme Duty Brush Cutter. To ensure maximum performance of your equipment, it is mandatory that you thoroughly study the Operator's manual and follow the recommendations. Proper operation and maintenance are essential to maximize equipment life and prevent personal injury.

Operate and maintain this equipment in a safe manner and in accordance with all applicable local, state, and federal codes, regulations and /or laws. Follow all on-product labeling and instructions.

Make sure that all personnel have read this Operator's Manual and thoroughly understand safe and correct operating, installation and maintenance procedures.

Blue Diamond is continually working to improve its products. Blue Diamond reserves the right to make any improvements or changes as deemed practical and possible without incurring any responsibility or obligation to make any changes or additions to equipment sold previously.

Although great care has been taken to ensure the accuracy of this publication, Blue Diamond makes no warranty or guarantee of any kind, written or expressed, implied or otherwise with regard to the information contained within this manual. Blue Diamond assumes no responsibility for any errors that may appear in this manual and shall not be liable under any circumstances for incidental, consequential or punitive damages in connection with, or arising from the use of this manual.

Keep this manual available for frequent reference. All new operators or owners must review the manual before using the equipment and annually thereafter. Contact your Blue Diamond Attachments Dealer for assistance, information, or additional copies of the manual. Contact [www.bluediamondattachments.com](http://www.bluediamondattachments.com) or call 888-376-7027 for a complete list of dealers in your area.

## Serial Number Location:

Please record attachment information in the space provided for future reference.



Model Number: \_\_\_\_\_

Serial Number: \_\_\_\_\_

Dealer Name: \_\_\_\_\_

Dealer Number: \_\_\_\_\_

Date of Purchase: \_\_\_\_\_

The serial number plate is located on the left side of the motor hood, just forward of the mounting plate.

Always use your serial number when requesting information or when ordering parts.

**NOTE:** The directions left, right, front and rear, as mentioned throughout this manual, are as viewed from the operator's position.

# Table of Contents

---

1. About this Manual .....	4
1.1 Hazard Notices used in this manual .....	4
1.2 Terminology .....	4
1.3 Extreme Duty Brush Cutter Model Numbers .....	4
2. Safety .....	5
2.1 Safety Notices.....	5
2.2 Modifications to Equipment.....	5
2.3 Operator Qualifications .....	5
3. Operation .....	6-7
3.1 Extreme Duty Brush Cutter .....	6
3.2 Attaching the Brush Cutter from the Prime Mover.....	6
3.3 Removing the Brush Cutter from the Prime Mover .....	7
3.4 Operating Safety .....	7
4. Maintenance .....	8-9
4.1 Equipment Inspection Schedule.....	8
4.2 Maintenance Schedule .....	9
5. Parts.....	10-14
5.1 Main Parts Breakdown .....	10
5.2 Direct Drive Spindle .....	12
5.3 Safety Decals .....	14
6. Specifications .....	15
6.1 Attachment Specifications .....	15
6.2 Torque Specifications .....	16
7. Warranty .....	17

# 1. About this Manual



## About this Manual

This manual contains information about the usage and maintenance required for the equipment. This document must be available for review by the operator before using the attachment to ensure proper safety, maintenance, and usage.



## 1.1 Hazard Notices Used in this Manual

The following hazard notices are used in this document:



**NOTE:** Notes are used to indicate important information. This information may be repeated in other areas of the manual.


CAUTION


The signal word **CAUTION** on the machine and in the manuals indicates a potentially hazardous situation which, if not avoided, may result in minor or moderate injury. It may also be used to alert against unsafe practices.


WARNING


The signal word **WARNING** on the machine and in the manuals indicates a potentially hazardous situation which, if not avoided, could result in death or serious injury.


DANGER


The signal word **DANGER** on the machine and in the manuals indicates a hazardous situation which, if not avoided, will result in death or serious injury.

## 1.2 Terminology

**Prime Mover:** The Brush Cutter can be attached to many different pieces of equipment; therefore, the term “prime mover” will be used. A prime mover is any equipment, tractor, or skid steer providing power to the attachment.

## 1.3 Extreme Duty Brush Cutter Model Numbers

EXTREME DUTY BRUSH CUTTER			MODEL NUMBER
WIDTH	FRONT	FLOW	
60"	closed	14-22 GPM	103015
	open	14-22 GPM	103016
		23-40 GPM	103017
72"	closed	16-20 GPM	103020
		27-35 GPM	103023
		36-45 GPM	103024
	open	16-26 GPM	103025
		12-16 GPM	103027
		27-35 GPM	103030
		36-45 GPM	103032

## 2. Safety

### 2.1 Safety Notices

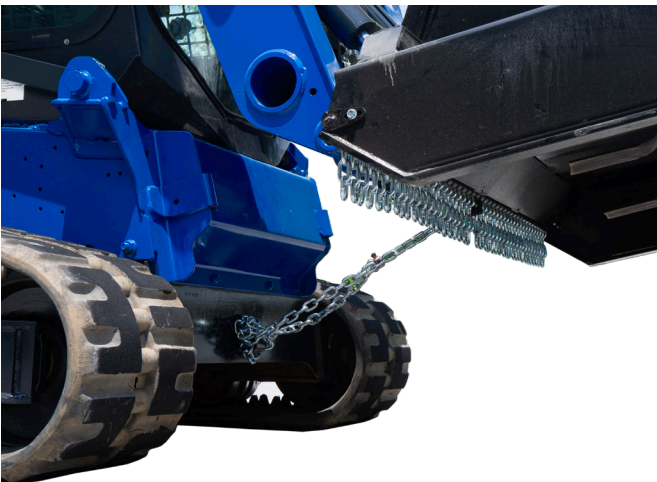
Before operating or conducting maintenance on this equipment, it is important to wear proper protection. Recommended safety equipment when operating and maintaining includes earplugs, eye protection, and a hard hat.

**NOTE:** Additional safety equipment may be required depending on the operating environment and worksite conditions.

Only qualified and trained personnel should operate, maintain, and service this attachment. Blue Diamond recommends that you inspect this equipment regularly for leaks, cracks, or other conditions that may impair proper usage of the equipment. Verify that all repairs have been completed and inspected prior to using the attachment under load.

It is the responsibility of the user to follow all local, state, and federal safety regulations. Improper use of this equipment may result in personal injury, property damage, and/or damage to the equipment.

**NOTE:** Fasten the safety chain to your machine with very little slack. Connect the safety chain under the machine's attachment mounting plate and secure to the frame of the machine. Not all machines will attach the same. See below for an example.



**DANGER**



Do not raise the back of the cutter more than 12” off the ground while operating the attachment. Raising the cutter during operation may result in serious injury or death. Be aware of your surroundings as debris can be thrown far. Always work away from persons or damageable property.

### 2.2 Modifications to Equipment

Any modifications made to this equipment may void any warranty and relieve the manufacturer of liability of any resulting injury or damage.

### 2.3 Operator Qualifications

#### Safe Operation Needs a Qualified Operator



**WARNING**



#### **AVOID SERIOUS INJURY OR DEATH**

Operators must receive instructions before operating the machine. Untrained operators can cause serious injury or death. For an operator to be qualified, he or she must not use drugs or alcoholic drinks which impair alertness or coordination while working. An operator who is taking prescription drugs must get medical advice to determine if he or she can safely operate a machine and the equipment.

#### **Operator Training**

- Check the rules and regulations at your location. The rules may include an employer's work safety requirements. Regulations may apply to local driving requirements or use of a Slow Moving Vehicle (SMV) emblem. Regulations may identify a hazard such as a utility line.
- The new operator must start in an area without bystanders and use all the controls until he or she can operate the machine safely under all conditions of the work area.

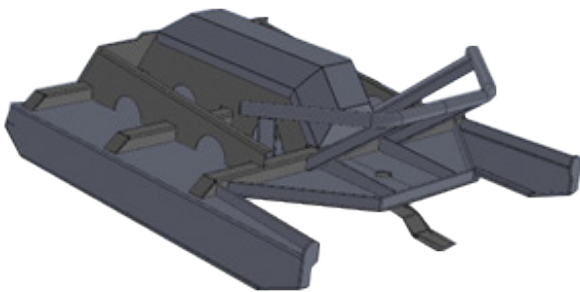
## 3. Operation

The Brush Cutter attachment is intended for use as a brush cutting and clearing tool. The primary use of the Brush Cutter attachment includes land clearing and grounds maintenance. Use of this equipment in any other manner is considered to be contrary to the intended use of the attachment.

### 3.1 Extreme Duty Brush Cutter

Requiring only 14 GPMs (depending on model) of hydraulic flow this aggressive cutter will allow a faster travel speed with increased cutting capabilities. The Extreme Brush Cutter features four swing-away blades and ultra- rugged construction. Cuts up to 8" (depending on model) trees and discharges very well for heavy grass cutting. The four- blade system, ultra-heavy construction and direct drive, combined with a protected reversible motor, allow you to cut the thickest brush with confidence. The larger capacity means less time in the field and cost savings in both time and energy.

The Brush Cutter attachment is vital in the land clearing and grounds maintenance industries.



### 3.2 Attaching the Brush Cutter to the Prime Mover

**NOTE:** Before attempting to attach the Brush Cutter to the prime mover, verify that all hydraulic couplings are compatible.



#### WARNING



Improper attachment to the prime mover may cause personal injury.



#### CAUTION



All hydraulic connections must be clean and free of debris before making any connection.

1. Place the Brush Cutter attachment on a level surface.
2. Position and align the prime mover to the rear of the attachment, within proximity of the front of prime mover.
3. Insert and connect the prime mover into the attachment.
4. Connect the hydraulic lines from the attachment to the prime mover.
5. Close latches (or other locking mechanism) to secure the attachment to the prime mover.
6. Using the prime mover, raise the attachment and move the attachment to ensure hydraulic lines are clear of air and operate properly.



#### CAUTION





Hydraulics should operate in an even and smooth manner. Hydraulic movement that is not even and smooth may indicate that air is in the hydraulic lines.





### 3. Operation

7. Lower the attachment to ground level.
8. Attach the safety chain to the prime mover with minimal slack. Not all prime movers will attach the same.
9. Inspect that the attachment is mounted properly and securely. If the attachment does not meet this requirement, follow the instructions to remove the Brush Cutter and re-attach using the instructions above.

#### 3.3 Removing the Brush Cutter from the Prime Mover

 **WARNING** 

Improper disconnection may result personal injury or damage to the attachment and prime mover.

 **CAUTION** 

All hydraulic connections must be clean and free of debris before disconnection.

1. Using the prime mover, lower the attachment to the ground.
2. To prevent contamination, remove any dirt and debris from the couplings. Disconnect the hydraulic connection between the attachment and the prime mover.

**NOTE:** Hydraulic connections must be disconnected before disengaging latches to prevent damage to the prime mover or the attachment.


3. Disconnect safety chain
4. Disengage the prime mover latches (or other locking mechanism) from the attachment.
5. Move the prime mover from the attachment.


#### 3.4 Operating Safety

- Operate this attachment with a prime mover with an enclosed cab with safety glass in front door.
- Wear proper safety equipment as required by working conditions and local, state, and Federal laws.
- Never operate the Brush Cutter within 300 feet of people, animals, or damageable property. Clear the area of objects that could become projectiles, such as rocks, bottles, and construction debris.
- Never operate the Brush Cutter with the back more than 12” off the ground or where your view is obstructed.
- Never operate the Brush Cutter with any guards removed, including the motor cover.
- Never operate the Brush Cutter without the safety chain securely fastened to your machine.
- Disengage the Brush Cutter and shut off the engine before leaving the cab of your machine.
- Do not place hands or feet near the Brush Cutter while the machine is running.

 **DANGER** 

Keep all body parts away from the Brush Cutter when in use.



 **Eye and Ear Protection:** To help ensure your safety as a designated operator wear eye and ear protection.

 **Safety Helmet:** To help ensure your safety as a designated operator wear a safety helmet.

## 4. Maintenance

### 4.1 Equipment Inspection Schedule

We recommend that you inspect the equipment for damage and wear before use. See the following chart as a guideline during equipment inspection.

 **WARNING** 

Do not use hands to check for hydraulic leaks. Keep body parts away from leaking hydraulic lines and couplings that are under pressure.

**NOTE:** Shut off the prime mover and disengage the Brush Cutter before performing any maintenance.

#### Daily Inspection

**NOTE:** Inspect the attachment by performing a walk around daily before and after use. Use the following inspection checklist as a guideline.

Check the following items every 10 hours of operation:

- After the brush cutter has been attached, check that all latches or locks are closed.
- Check that all hydraulic fittings are tight and free of leaks.
- Check that all hydraulic lines are free of leaks, holes, or cracks. Replace as needed.
- Check all hardware connections to the prime mover for damage or fatigue such as cracks or other structural flaws.
- Inspect the safety chain for damage.
- Inspect blades and bolts for wear, damage, and loosening.
- Check for wire or debris under the deck; remove any present.
- Check that all guards and safety equipment are in good condition.

#### Weekly Inspection

Check the following items every 40 hours of operation:

- Check blade bolts for correct torque 1,440 ft/lb.
- Check all bolts for correct torque.
- Inspect the deck for cracks, bends, or damage.
- Inspect discharge chains and replace any missing or broken chains.

#### Monthly Inspection

- Inspect the blades for cracks, bends, or excessive wear.
- Check skid plates for wear.
- Check that all bolts are tight.
- Apply 10 pumps of grease every 250 hours.

#### Inspection Checklist

	ITEMS
✓	Are all safety notices and warning stickers in proper locations and visible?
✓	Are all safety guards properly installed and in good condition?
✓	Are there any visible hydraulic leaks?
✓	Is there any wire or vines wound under the deck?
✓	Are any cracks visible in Brush Cutter structure?
✓	Are the blades worn, bent, or broken?
✓	Has all debris been removed from the deck and motor area?
✓	Has the prime mover been properly inspected for hydraulic leaks and proper tire inflation?
✓	Has the prime mover been properly maintained?



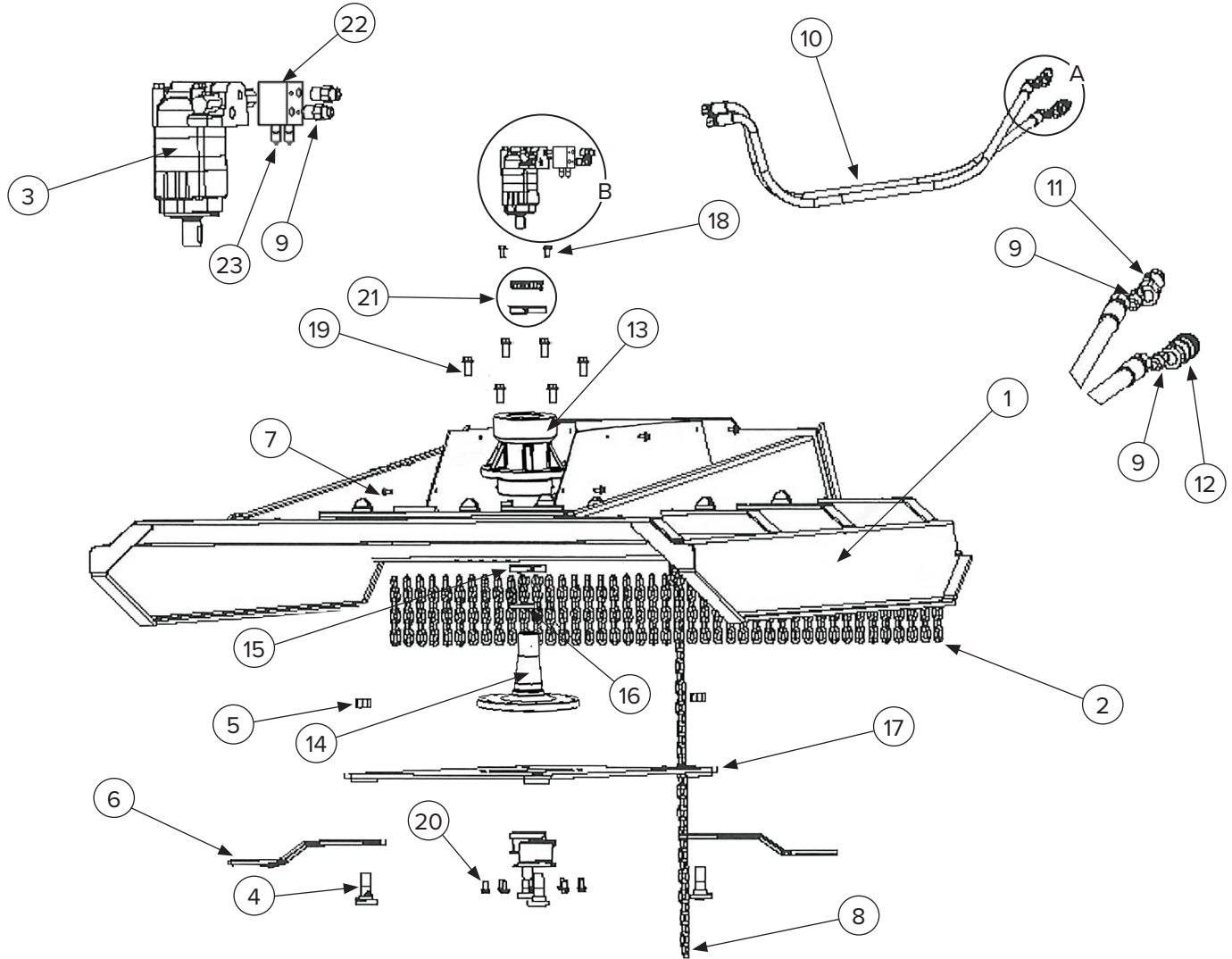
## 4. Maintenance

### 4.2 Maintenance Schedule

DESCRIPTION	SERVICE PROCEDURES					
	Check	Clean	Lube	Change	Adjust	Drain
<b>Daily Maintenance (or every 8 hours)</b>						
Hydraulic Fittings	•					
Hydraulic Hoses	•					
Hydraulic Motor	•	•				
Blades (wear, damage, and loosening)	•					
Blade Carrier	•					
All Hardware	•					
Deck	•	•				
Chain Guard	•					
Safety Chain	•					
<b>Weekly Maintenance (or every 40 hours)</b>						
Blade Bolt Torque - 1,400 ft/lb (1,898 N•m)	•					
All Hardware	•					
Deck (cracks, bends, or damage)	•					
Chain Guard (replace missing/broken chains)	•					
Safety Chain	•					
<b>Monthly Maintenance</b>						
Blades (cracks, bends, or excessive wear)	•					
Skid plates	•					
All Hardware	•					
<b>250 Hour Maintenance</b>						
Add Grease to drive			•			

# 5. Parts

## 5.1 Main Parts Breakdown



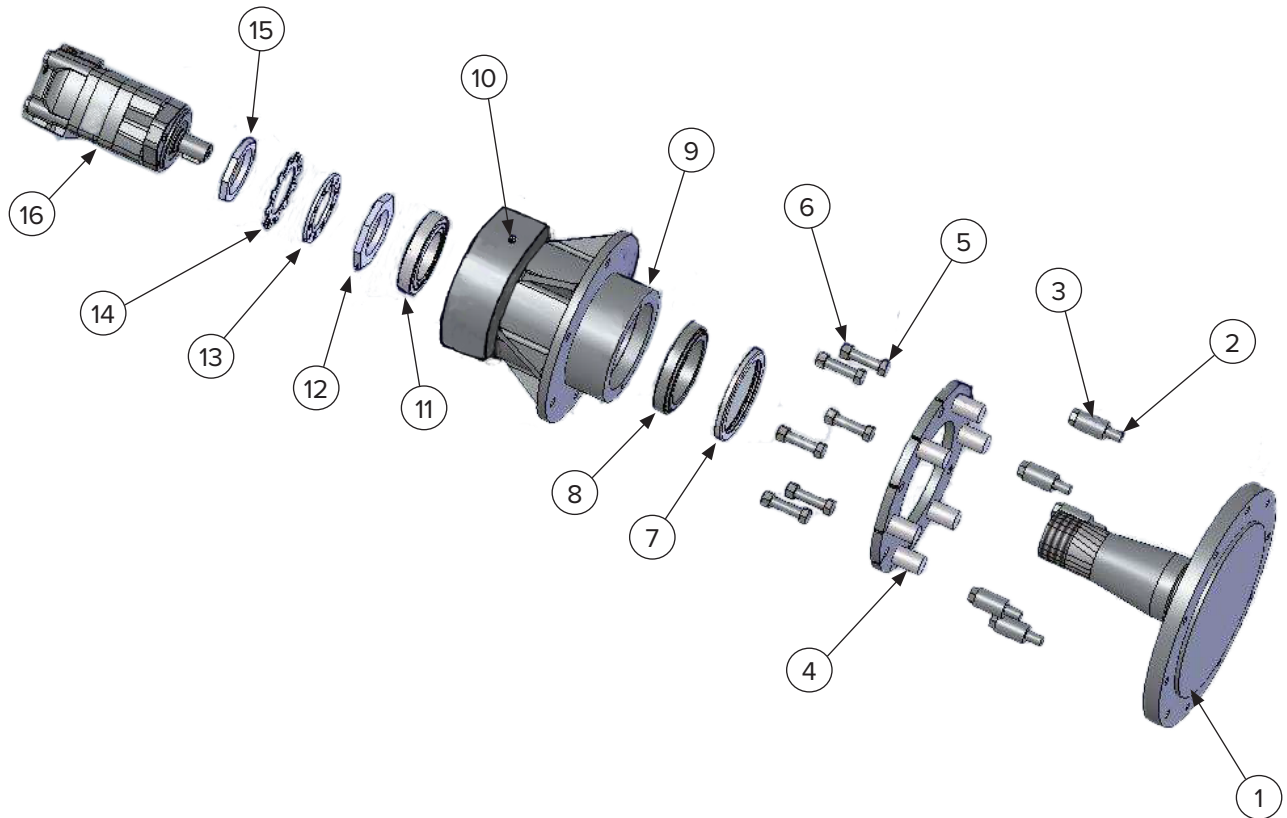
ITEM	PART NUMBER	DESCRIPTION	QTY 60"	QTY 72"
1	—	Deck Weldment 60" Open Front	1	—
	—	Deck Weldment 60" Closed Front		
	203510	Deck Weldment 72" Open Front	—	1
	203505	Deck Weldment 72" Closed Front		
2	203045	Discharge Chain (4 link) (QTY open/closed)	34/69	42/85
3	203763	Hydraulic Motor 100cc	1	
	203768	Hydraulic Motor 160cc	1	
	203703	Hydraulic Motor 200cc	1	
	203703-1	Hydraulic Motor 250cc	1	
NS	203008	Inspection Cover	1	
NS	203006	Inspection Cover Bolts	2	
NS	203015	Motor Cover Standard Flow 60"	1	—
	203005	Motor Cover Standard Flow 72"	—	1
	203004	Motor Cover High Flow 60"	1	—
	203007	Motor Cover High Flow 72"	—	1

## 5. Parts

ITEM	PART NUMBER	DESCRIPTION	QTY 60"	QTY 72"
4	203035	Blade Bolt	3	4
5	203030	Blade Nut	3	4
6	203028	Double Edge Blade for 60"	3	—
	203027	Double Edge Blade for 72"	—	4
7	203006	Motor Cover Bolts	6	
8	203048	Safety Chain and Clevis	1	
9	295010–M12JIC–M120RB	Hose Fittings	4	
NS	203109	Small Straight Thread for Grease Outlet	1	
10	203039	Hose Set	1	
11	224012	Hydraulic Coupler Male	1	
12	224011	Hydraulic Coupler Female	1	
13	203076	Direct Drive Housing	1	
14	203068	Direct Drive Shaft (Spindle)	1	
15	203074	Direct Drive Lower Bearing and Race	1	
16	203086	Lower Bearing Seal	2	
17	203043	Blade Carrier 60"	1	
	203044	Blade Carrier 72"		
NS	203050	Chain Retainer Bar 60"	1	
	203055	Chain Retainer Bar 72"		
18	299433	Motor Bolt	4	
NS	299830	Motor Lock Washer	4	
19	203056	Housing Bolts	6	
20	299454	Blade Carrier Bolts	10	
21	203075	Direct Drive Upper Bearing and Race	1	
See Pg 12	203052	Direct Drive Assembly	1	
NS	203916	Standard Flow Cartridge	Small O-Ring	2
NS	203917		Large O-Ring	2
NS	203919		Teflon Split Ring	2
NS	203424-L	High Flow Cartridge	Large O-Ring	2
NS	203424-S		Small O-Ring	2
NS	203424-T		Teflon Split Ring	2
NS	203908	Standard Flow Block — Motor O-Ring		2
NS	203918	High Flow Block — Motor O-Ring		2
22	203770	Standard Flow Valve Block		1
NS	203717	High Flow Valve Block		1
23	203136-1	Standard Flow Relief Valve Cartridge		2
NS	203424	High Flow Valve Cartridge		2

## 5. Parts

### 5.2 Direct Drive Spindle



ITEM	PART NUMBER	DESCRIPTION	QTY
1	203068	Direct Drive Spindle	1
2 & 3	203914	Lower Bearing Seal Protector (Bushing & Bolt)	5
4	203134	Upper Bearing Seal Protector	1
5	203056	Housing Bolt 3/4"	6
6	299657	Housing Nut 3/4" (included with bolt)	6
7	203086	Lower Bearing Seal	1
NS	203087	Retention Ring	1
8	203074	Direct Drive Lower Bearing & Race	2
9	203076	Direct Drive Housing	1
10	203072	Grease Zerk	1
11	203075	Direct Drive Upper Bearing & Race	2
12	203105	Direct Drive Spindle Nut, Lower	1
13	203095	Direct Drive Lock Ring	1
14	203100	Direct Drive Star Lock Washer	1
15	203090	Direct Drive Spindle Nut, Upper	1
16	203763	Hydraulic Motor — 100cc	1
	203768	Hydraulic Motor — 160cc	
	203703	Hydraulic Motor — 200cc	
	203703-1	Hydraulic Motor — 250cc	

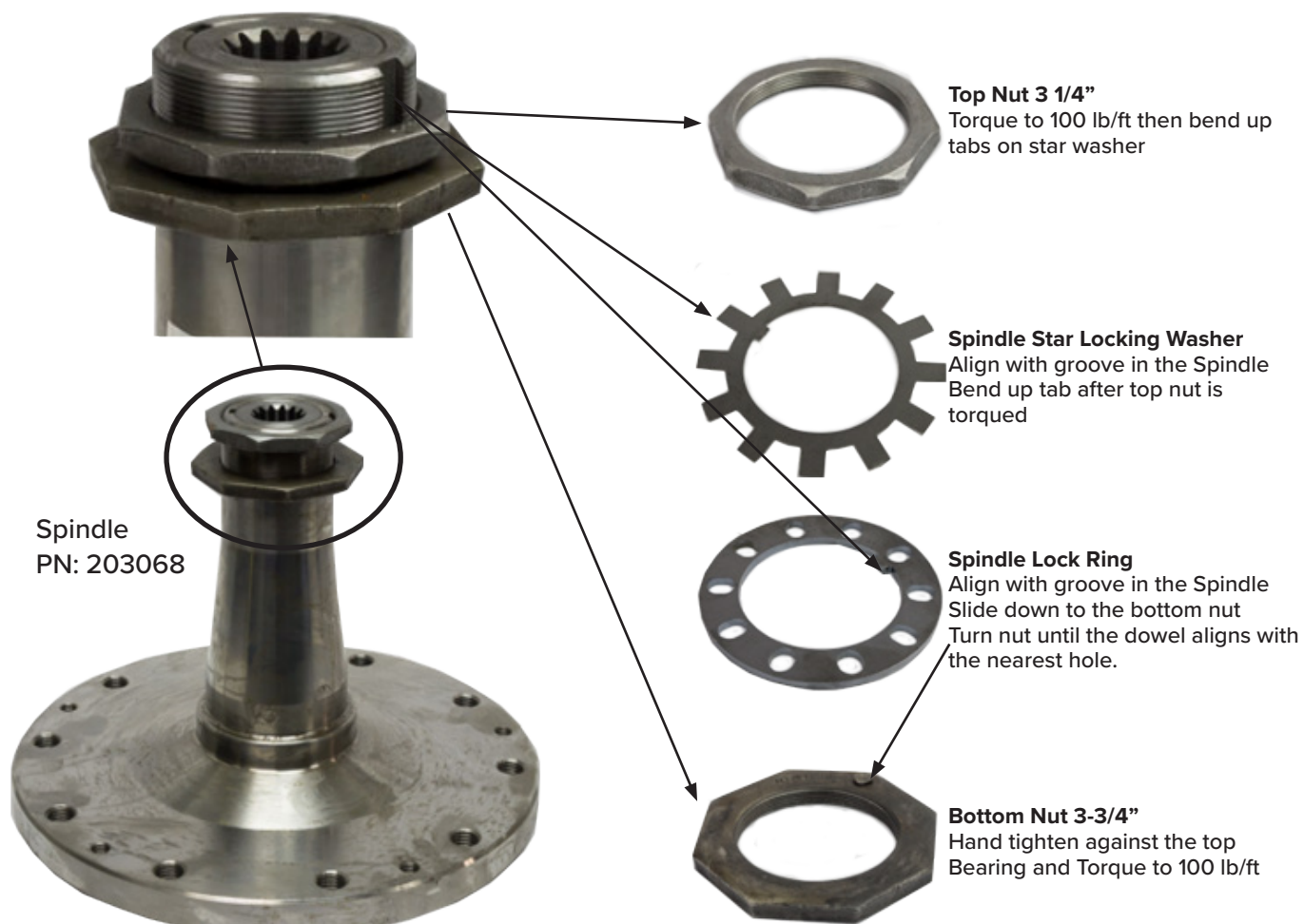
## 5. Parts

### 5.2 Direct Drive Spindle Cont'd

#### Disassembly and Reassembly of Brush Cutter Direct Drive

1. Support the Brush Cutter by the blade carrier.
2. Remove Motor Cover
3. Remove hoses to motor
4. Remove motor and 4 bolts at flange.
5. Remove top nut 3-1/4", star washer, lock washer, bottom nut 3-3/4", and top bearing/race (items 11 – 15 on page 12).
6. Lift brush cutter straight up using the skid steer leaving behind the spindle, blade carrier, and blades on the support.
7. Remove nuts and bolts holding the direct drive housing to the mower deck (items 5 and 6 on page 12)
8. Remove the direct drive housing (item 9 on page 12).
9. Remove lower seal and bottom bearing (items 7 and 8 on page 12).  
**NOTE:** the bottom bearing is pressed in.
10. Reassembly is the reverse. See below for details on top nuts.

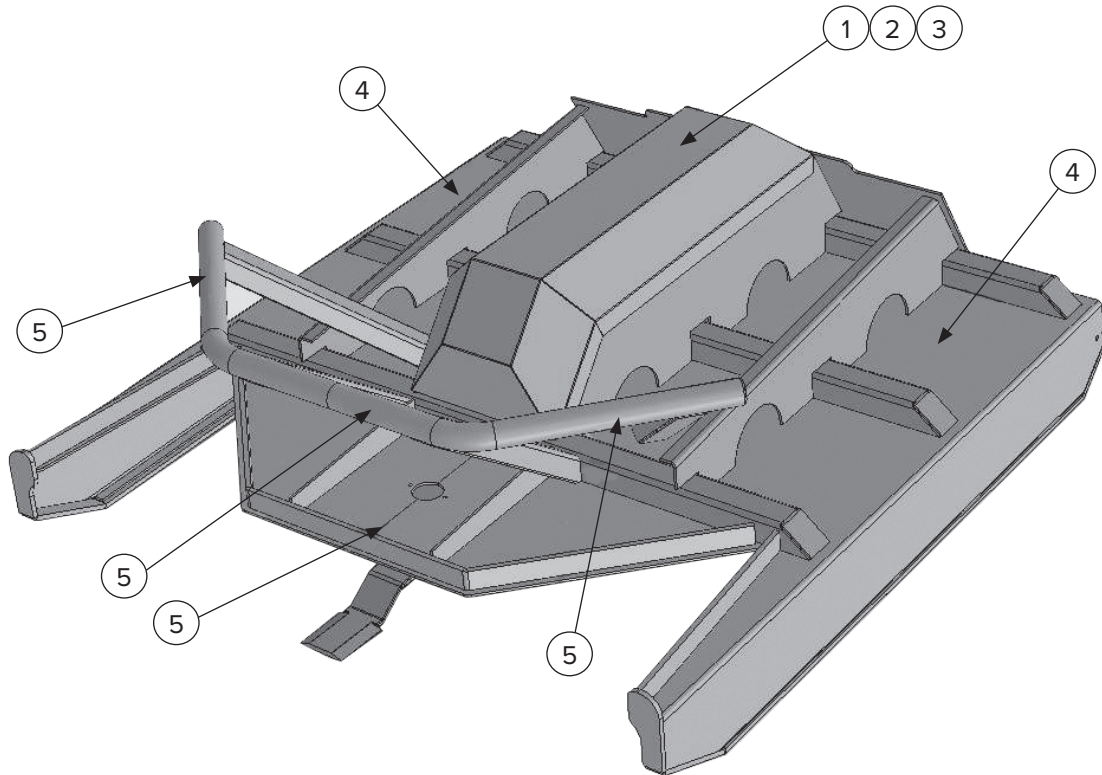
#### Top Nuts Details



Use red Loctite on the threads of both the lower and upper nut.

## 5. Parts

### 5.3 Safety Decals



ITEM	PART NUMBER	DESCRIPTION	QTY
1	BD-007	Warning Decal: High Pressure Fluid Hazard	1
2	BD-001	Warning Decal: Read Owner's Manual Before Operating	1
3	BD-070	Warning Decal: Do not Operate Without Safety Chain in Place	1
4	BD-081	Warning Decal: Keep Hands and Feet Away	4
5	BD-055	Warning Decal: Debris Discharge Area Stay Back 50 Feet	1





## 6. Specifications

### 6.1 Attachment Specifications

DESCRIPTION	SPECIFICATIONS					
Width	60"		72"			
Motor	100cc	200cc	100cc	160cc	200cc	250cc
Flow (GPM)	14-22	23-40	12-13	16-26	27-35	36-45
Max Pressure (PSI)	3200					
Cut Diameter	5"		6"		8"	
SPECIAL TORQUE VALUES						
Blade Nut	1440 ft/lbs					
Spindle Nuts	100 ft/lbs					

## 6. Specifications

### 6.2 Torque Specifications

#### Standard Hardware and Lock Nuts

BOLT TYPE	SAE GRADE 5		SAE GRADE 8		LOCK NUTS			
	Nominal Size	Plated or Unplated Silver	Plated W/ ZnCr Gold	Plated or Unplated Silver	Plated W/ ZnCr Gold	Plated or Unplated Silver	Plated W/ ZnCr Gold	W/ Grade 5 Bolt
1/4	55 in / lb (6.2 N•m)	72 in / lb (8.1 N•m)	86 in / lb (9.7 N•m)	112 in / lb (12.6 N•m)	121 in / lb (13.6 N•m)	157 in / lb (17.7 N•m)	61 in / lb (6.9 N•m)	86 in / lb (9.8 N•m)
5/16	115 in / lb (13 N•m)	149 in / lb (17 N•m)	178 in / lb (20 N•m)	229 in / lb (26 N•m)	250 in / lb (28 N•m)	325 in / lb (37 N•m)	125 in / lb (14 N•m)	176 in / lb (20 N•m)
3/8	17 ft / lb (23 N•m)	22 ft / lb (30 N•m)	26 ft / lb (35 N•m)	34 ft / lb (46 N•m)	37 ft / lb (50 N•m)	48 ft / lb (65 N•m)	19 ft / lb (26 N•m)	26 ft / lb (35 N•m)
7/16	27 ft / lb (37 N•m)	35 ft / lb (47 N•m)	42 ft / lb (57 N•m)	54 ft / lb (73 N•m)	59 ft / lb (80 N•m)	77 ft / lb (104 N•m)	30 ft / lb (41 N•m)	42 ft / lb (57 N•m)
1/2	42 ft / lb (57 N•m)	54 ft / lb (73 N•m)	64 ft / lb (87 N•m)	83 ft / lb (113 N•m)	91 ft / lb (123 N•m)	117 ft / lb (159 N•m)	45 ft / lb (61 N•m)	64 ft / lb (88 N•m)
9/16	60 ft / lb (81 N•m)	77 ft / lb (104 N•m)	92 ft / lb (125 N•m)	120 ft / lb (163 N•m)	130 ft / lb (176 N•m)	169 ft / lb (229 N•m)	65 ft / lb (88 N•m)	92 ft / lb (125 N•m)
5/8	83 ft / lb (112 N•m)	107 ft / lb (145 N•m)	128 ft / lb (174 N•m)	165 ft / lb (224 N•m)	180 ft / lb (244 N•m)	233 ft / lb (316 N•m)	90 ft / lb (122 N•m)	127 ft / lb (172 N•m)
3/4	146 ft / lb (198 N•m)	189 ft / lb (256 N•m)	226 ft / lb (306 N•m)	293 ft / lb (397 N•m)	319 ft / lb (432 N•m)	413 ft / lb (560 N•m)	160 ft / lb (217 N•m)	226 ft / lb (306 N•m)
7/8	142 ft / lb (193 N•m)	183 ft / lb (248 N•m)	365 ft / lb (495 N•m)	473 ft / lb (641 N•m)	515 ft / lb (698 N•m)	667 ft / lb (904 N•m)	258 ft / lb (350 N•m)	364 ft / lb (494 N•m)
1	213 ft / lb (289 N•m)	275 ft / lb (373 N•m)	547 ft / lb (742 N•m)	708 ft / lb (960 N•m)	773 ft / lb (1048 N•m)	1000 ft / lb (1356 N•m)	386 ft / lb (523 N•m)	545 ft / lb (739 N•m)



## **MANUFACTURER'S LIMITED WARRANTY**

BLUE DIAMOND® ATTACHMENTS, a manufacturer of quality attachments, warrants new BLUE DIAMOND® ATTACHMENTS products and/or attachments at the time of delivery to the original purchaser, to be free from defects in material and workmanship when properly set up and operated in accordance with the recommendations set forth by BLUE DIAMOND® ATTACHMENTS, LLC.

BLUE DIAMOND® ATTACHMENTS liability for any defect with respect to accepted goods shall be limited to repairing the goods at a BLUE DIAMOND® ATTACHMENTS designated location or at an authorized dealer location, or replacing them, as BLUE DIAMOND® ATTACHMENTS shall elect. The above shall be in accordance with BLUE DIAMOND® ATTACHMENTS warranty adjustment policies. BLUE DIAMOND® ATTACHMENTS obligation shall terminate twelve (12) months for the Extreme Duty Brush Cutter after the delivery of the goods to original purchaser.

This warrant shall not apply to any machine or attachment which shall have been repaired or altered outside the BLUE DIAMOND® ATTACHMENTS factory or authorized BLUE DIAMOND® ATTACHMENTS dealership or in any way so as in BLUE DIAMOND® ATTACHMENTS judgment, to affect its stability or reliability, nor which has been subject to misuse, negligence or accident beyond the company recommended machine rated capacity.

## **WARRANTY CLAIM**

To submit a warranty claim, a return authorization from BLUE DIAMOND® ATTACHMENTS must be obtained. The failed part may then be returned. Tampering with the failed part may void the warranty. This warranty does not include freight or delivery charges incurred when returning machinery for servicing. Dealer mileage, service calls, and pickup/delivery charges are the customers' responsibility.

## **EXCLUSIONS OF WARRANTY**

Except as otherwise expressly stated herein, BLUE DIAMOND® ATTACHMENTS makes no representation or warranty of any kind, expressed or implied, AND MAKES NO WARRANTY OF MERCHANTABILITY IN RESPECT TO ITS MACHINERY AND/OR ATTACHMENTS ARE FIT FOR ANY PARTICULAR PURPOSE. BLUE DIAMOND® ATTACHMENTS shall not be liable for incidental or consequential damages for any breach or warranty, including but not limited to inconvenience, rental of replacement equipment, loss of profits or other commercial loss. Upon purchase, the buyer assumes all liability for all personal injury and property resulting from the handling, possession, or use of the goods by the buyer.

No agent, employee, or representative of BLUE DIAMOND® ATTACHMENTS has any authority to bind BLUE DIAMOND® ATTACHMENTS to any affirmation, representation, or warranty concerning its machinery and/or attachments except as specifically set forth herein.

This warranty policy supersedes any previous documents.

**NOTE:** Blue Diamond® Attachments is a trademark of BLUE DIAMOND® ATTACHMENTS



**QUALITY | DEPENDABILITY | INTEGRITY**

Blue Diamond® Attachments  
4512 Anderson Road, Knoxville, TN 37918  
888-376-7027